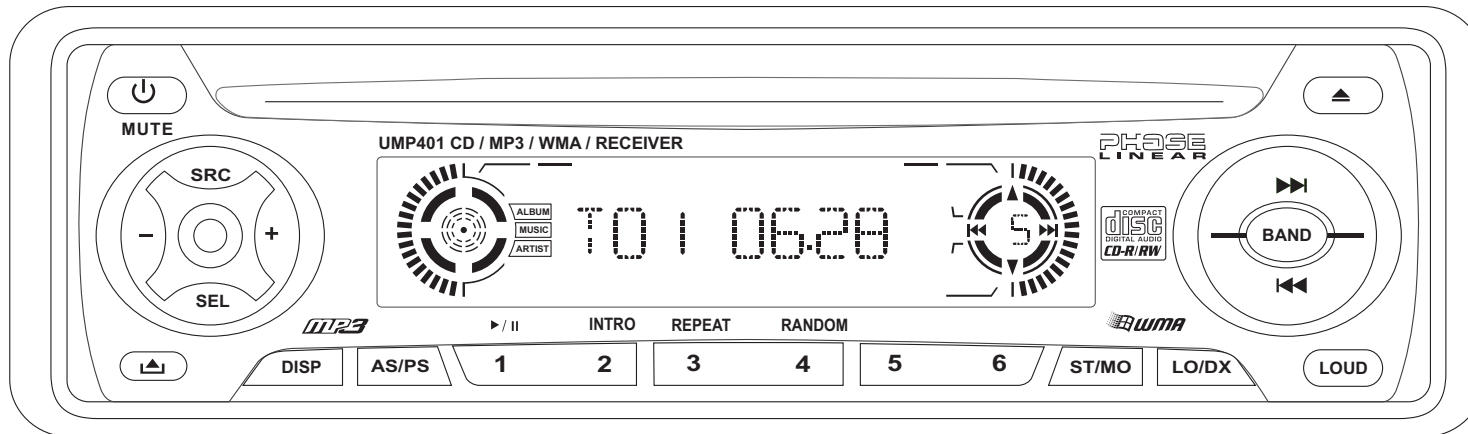


# PHASE LINEAR

## UMP401

Owner's Manual / Manual del Usuario / Manual de L'Utilisateur



AM/FM/CD/MP3/WMA Receiver

Receptor AM/FM/CD/MP3/WMA

AM/FM/CD/MP3/WMA Ampli-  
Syntoniseur

Para obtener instrucciones en Español, dirijase a la página 20.

Pour des instructions en Francais, référez-vous à la page 38.

## PREPARATION

### Getting Started

It's a good idea to read all of the instructions before beginning the installation.

#### Contents

Installation Instructions .....	3
Wiring .....	5
Installing the Removable Faceplate .....	6
Operating Instructions .....	7
CD Player Operating Instructions.....	11
MP3 Player Operation.....	13
Remote Control .....	15
Care and Maintenance.....	16
Specifications .....	17

### Installation Requirements

This unit is designed for installation in cars, trucks and vans with an existing radio opening. In many cases, a special installation kit will be required to mount the radio to the dashboard. These kits are available at electronics supply stores and car stereo specialty shops. Always check the kit application before purchasing to make sure the kit works with your vehicle. If you need a kit but cannot locate one, call our customer support line at 1-800-323-4815. (U.S.A. and Canada only.)

### Tools and Supplies

The following tools and supplies are needed to install the radio.

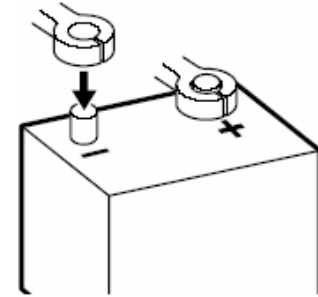
- Torx type, flathead and Philips screwdrivers
- Wire cutters and strippers
- Tools to remove existing radio (screwdriver, socket wrench set or other tools)
- Electrical tape
- Crimping tool
- Volt meter/test light
- Crimp connections
- 18 gauge wire for power connections
- 16-18 gauge speaker wire

### Speaker Requirements

Only connect speakers rated with a load impedance of 4 ohms. Speakers with a load impedance of less than 4 ohms could damage the unit.

### Disconnect Battery

Before you begin, disconnect the battery negative terminal.



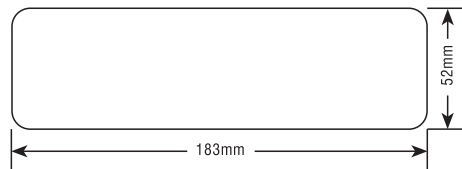
### Toll-Free Installation Assistance

If you require assistance, contact Technical Support at 1-800-323-4815 from 8:30 a.m. to 7:00 p.m. EST Monday through Friday and from 9:00 a.m. to 5:00 p.m. EST on Saturday. (U.S.A. and Canada only.)

## INSTALLATION INSTRUCTIONS

### Using the Mounting Sleeve

1. Slide the mounting sleeve off the chassis. If it is locked into position, use the removal tools (supplied) to disengage it.
2. Check the dashboard opening size by sliding the mounting sleeve into it.



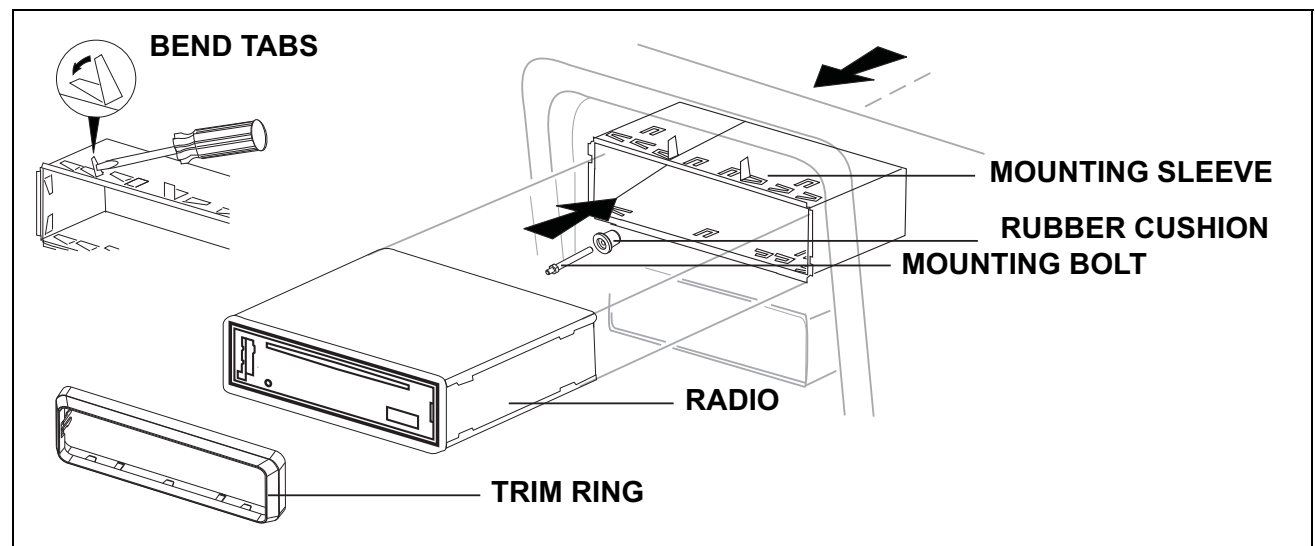
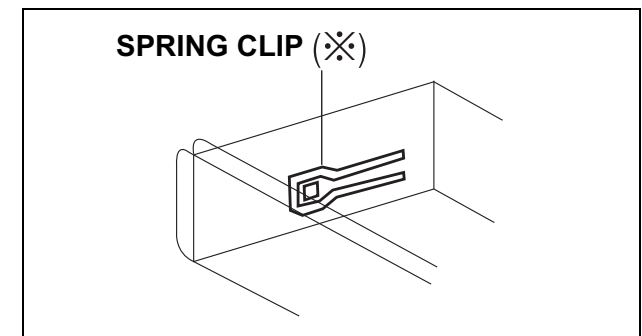
If the opening is too small, carefully cut or file as necessary until the sleeve easily slides into the opening. Do not force the sleeve into the opening or cause it to bend or bow. Check for sufficient space behind the dashboard for the radio chassis.

3. Locate the series of bend tabs along the top, bottom, and sides of the mounting sleeve. With the sleeve fully inserted into the dashboard opening, bend as many of the tabs outward as necessary to firmly secure the sleeve to the dashboard.

**CAUTION:** For proper operation of the CD player, the chassis must be mounted within 20° of horizontal. Make sure the unit is mounted within this limitation.

4. Place the radio in front of the dashboard opening so the wiring can be brought through the mounting sleeve. Follow the wiring diagram carefully and make certain all connections are secure and insulated with wire nuts or electrical tape. After completing the wiring connections, turn the unit on to confirm operation (vehicle ignition must be on). If the unit does not operate, re-check all wiring until the problem is corrected.
5. Make sure the radio is right-side up, then carefully slide the radio into the mounting sleeve until it is fully seated and the spring clips lock it into place.

6. Secure the rear of the unit to the car body using the mounting bolt and rubber cushion.
7. Test the radio using the Operating Instructions that follow.



## INSTALLATION INSTRUCTIONS

### Installation Using a Kit

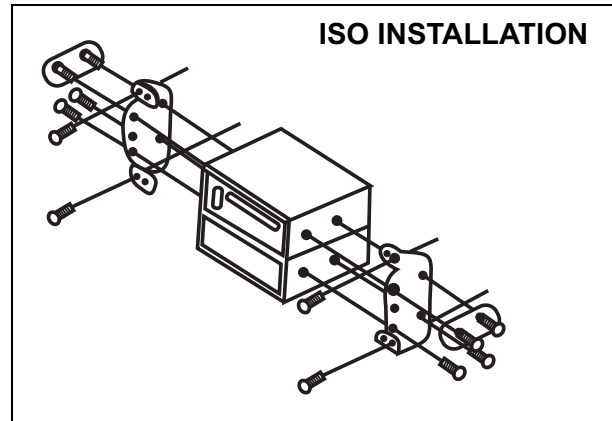
If your vehicle requires the use of an installation kit to mount this radio, follow the instructions included with the installation kit to attach the radio to the mounting plate supplied with the kit.

1. Wire and test the radio as described in step 4 of "Using the Mounting Sleeve".
2. Install the radio mounting plate assembly to the sub-dashboard according to the installation kit instructions.
3. Attach the support strap to the radio and dashboard as described in step 6 of "Using the Mounting Sleeve".
4. Replace the dashboard trim panel.

### ISO Installation

This unit has threaded holes in the chassis side panels which may be used with the original factory mounting brackets of some Toyota, Nissan, Mitsubishi, Isuzu, Hyundai and Honda vehicles to mount the radio to the dashboard. Please consult with your local car stereo specialty shop for assistance on this type of installation.

1. Remove the existing factory radio from the dashboard or center console mounting. Save all hardware and brackets as they will be used to mount the new radio.



2. Carefully unsnap the plastic frame from the front of the new radio chassis. Remove and discard the frame.
3. Remove the factory mounting brackets and hardware from the existing radio and attach them to the new radio.

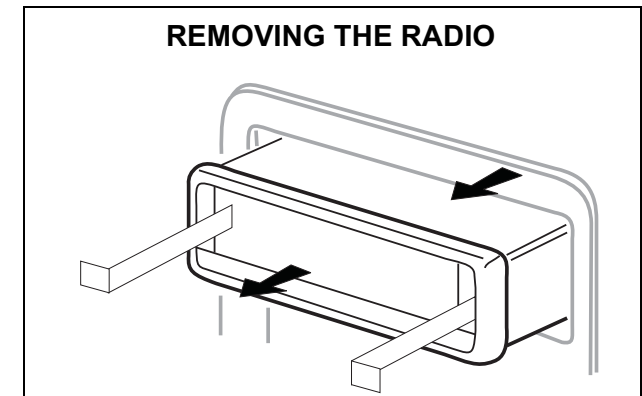
**CAUTION: Do not exceed M5 X 6 MM screw size. Longer screws may touch and damage components inside the chassis.**

4. Wire the new radio to the vehicle as described in step 4 of "Using the Mounting Sleeve".
5. Mount the new radio assembly to the dashboard or center console using the reverse

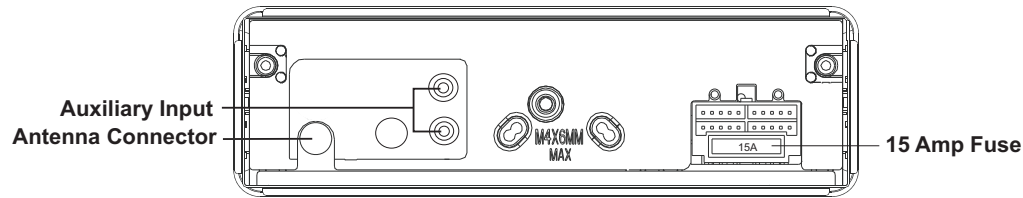
procedure in step 1 of "Using the Mounting Sleeve".

### Removing the Radio

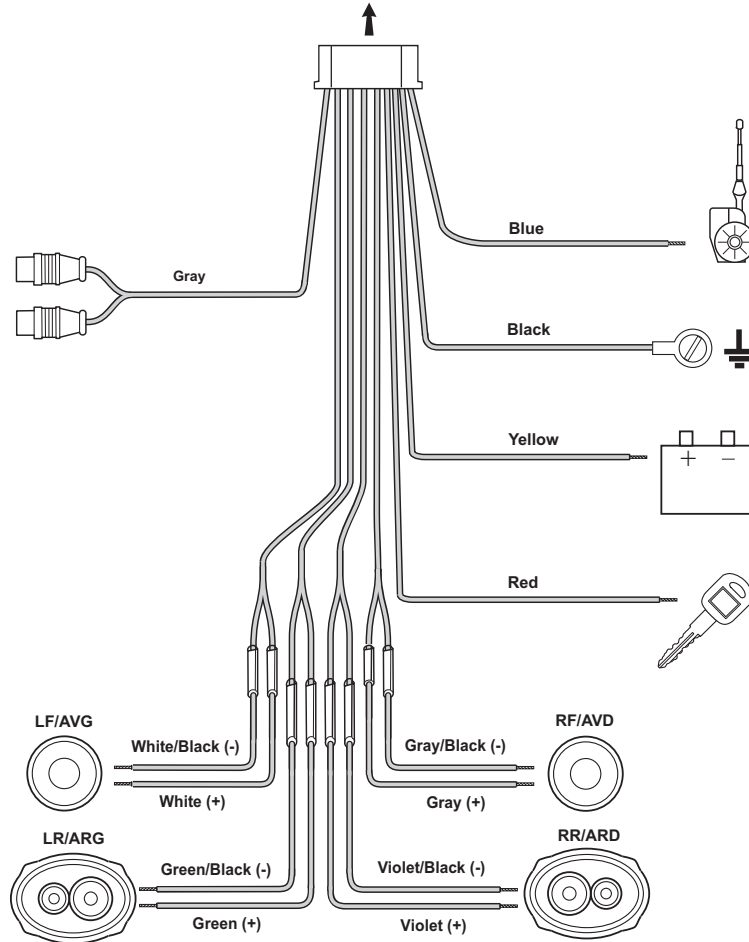
To remove the radio after installation, remove the trim ring by lifting in the center and pulling it off from either side. Insert the removal keys straight back until they lock, then pull the radio out. If removal keys are inserted at an angle, they will not lock properly and will not release the unit.



# WIRING



**Amplifier Wiring**  
Connect line out for optional external amplifiers. The red connector is for the right and the white connector is for the left.



**Power Antenna**  
Connect to power antenna or amplifier. If not used, tape bare end of wire.

**Ground**  
Connect to ground terminal.

**Memory/Battery**  
Connect to battery or 12 volt power source that is always live. The radio will not work if this wire is not connected.

**Accessory/Ignition**  
Connect to existing radio wire or radio fuse.

**Fuses**  
When replacing a fuse, make sure the new fuse is the correct type (ATO) and amperage. Using an incorrect fuse could damage the radio.

**WARNING! Never combine (bridge) outputs for use with 1 speaker.**

**WARNING! Never ground negative speaker leads to chassis ground.**


**CAUTION: Failure to wire exactly as shown may cause electrical damage to the radio.**

## INSTALLING THE REMOVABLE FACEPLATE

### Faceplate Installation

To install the faceplate, slip the right edge of the front panel into the radio then gently press the left side into place.

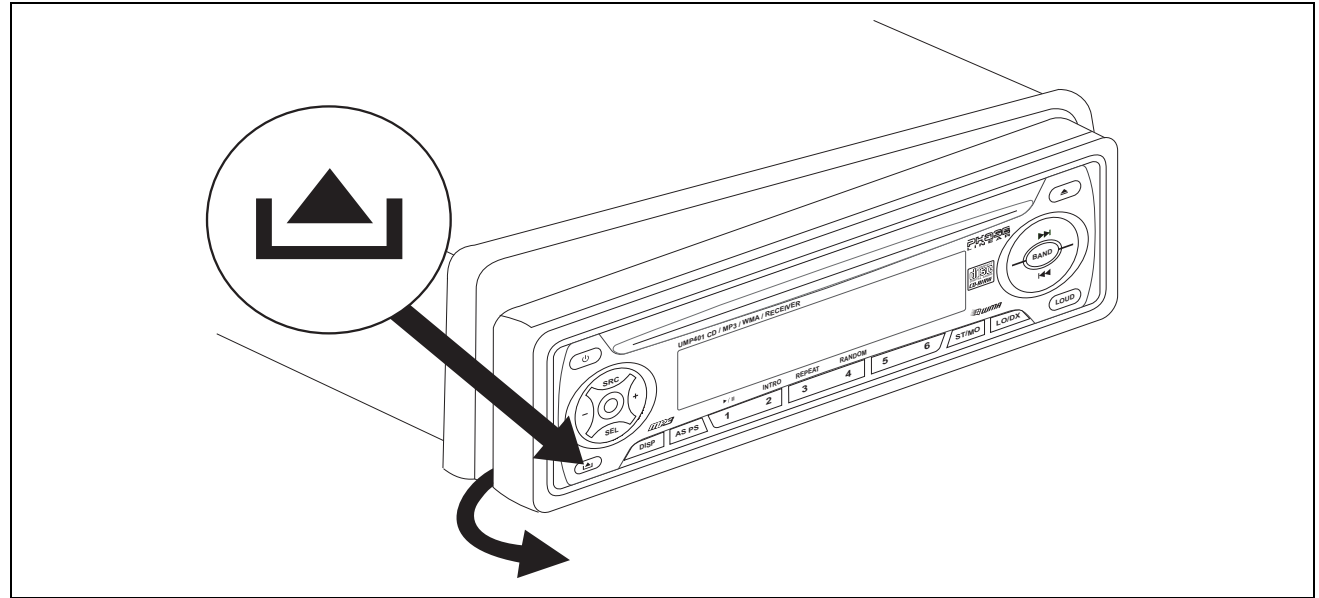
### Faceplate Detachment

To remove the faceplate, press the release  button, and pull gently on the left side of the front panel.

For safekeeping, store the front panel in the protective case provided.

### Handling Precautions


- Make sure the front panel is right-side-up when attaching it to the chassis as it cannot be attached when up-side down.
- Do not press very hard on the front panel when attaching it to the chassis. No more than light to moderate pressure is needed.
- When attaching the front panel, make sure it is centered in the chassis frame and is pressed straight into position.
- Do not drop the front panel.
- Do not put pressure on the display or control buttons when handling the front panel.
- Do not touch the electrical terminals on the front panel or main unit.
- Remove dirt or foreign substances with a clean, *dry* cloth only.




- Do not expose the front panel to extreme temperatures or direct sunlight.
- Keep volatile agents such as benzene, thinner or insecticides away from the front panel.
- Do not disassemble the front panel.
- When taking the front panel with you, please use the supplied carrying case to protect the panel from dirt and damage.
- Make sure there is no dust or dirt on the electrical terminals on the back of the panel as this could cause intermittent operation or other malfunctions.

## OPERATING INSTRUCTIONS

### ① Power On/Off Button

Press the power  button (1) (or any button except eject or release) to turn the unit on.

*Press and hold* the power  button to turn the unit off.

### ① Audio MUTE

Press the power/**MUTE** button (1) to silence the volume from the system. "MUTE ON" will appear on the display panel. Press **MUTE** again to return the volume level to the setting that was in use before the Mute function was activated.

### ② Liquid Crystal Display Panel

The Liquid Crystal Display (LCD) panel displays the frequency, time and all activated functions.

**NOTE:** *It is a characteristic of LCD panels that, if subjected to cold temperatures for an extended period of time, they may take longer to illuminate than under normal conditions. In addition, the visibility of the numbers on the LCD may slightly decrease. The LCD read-out will return to normal when the temperature inside the vehicle increases to a normal range.*

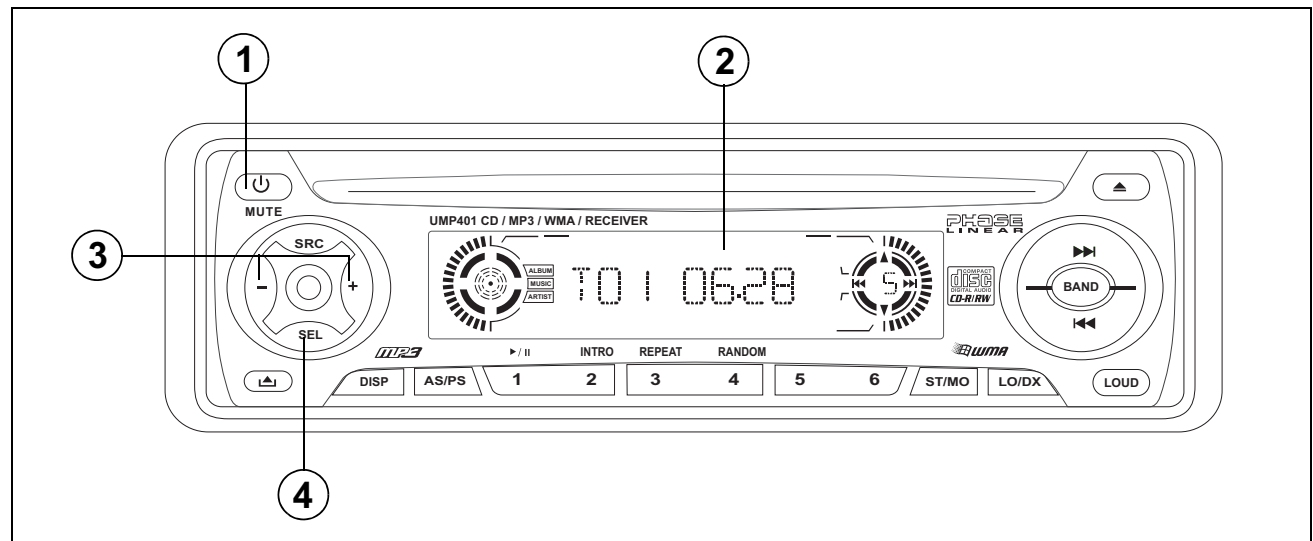
### ③ Volume Control

To increase the volume level, press the volume **+** button (3). To decrease the volume level, press the volume down **-** button (3). The volume will increase/decrease and the level will be shown on the display panel from a minimum of "VOL 0" to a maximum of "VOL 47". The display will automatically return to the normal indication 5 seconds after the last volume adjustment or when another function is activated. The volume control is also used in conjunction with the **SEL** button (4) to adjust the bass, treble, balance and fader levels.

### ④ Bass Control

To adjust the bass level, first select the Bass mode by pressing the **SEL** button (4) until "BAS" appears on the display panel. Within five seconds, press the volume **+/-** buttons (3) to adjust the bass response from a minimum of "BAS -7" to a maximum of "BAS 7". "BAS 0" represents a flat response.

**NOTE:** *You cannot adjust the Bass or Treble options when the Preset Equalizer (DSP) is activated.*



## OPERATING INSTRUCTIONS

### 4 Treble Control

To adjust the treble level, press the **SEL** button (4) until “TRB” appears on the display panel. Within five seconds, press the volume +/- buttons (3) to adjust the treble from a minimum of “TRB -7” to a maximum of “TRB 7”. “TRB 0” represents a flat response.

### 4 Left/Right Balance Control

To adjust the left/right speaker balance, press and release the **SEL** button (4) until the “BAL” indication appears on the display panel. Within five seconds, press the volume +/- buttons (3) to adjust the balance between the left and right speakers from “BAL 10L” (full left) to “BAL 10R” (full right). “BAL 0” represents an equal balance level between the left and right speakers.

### 4 Front/Rear Fader Control

To adjust the front/rear speaker balance, press the **SEL** button (4) until “FAD” appears on the display panel. Within five seconds, press the volume +/- buttons (3) to adjust the balance between the front and rear speakers from “FAD 10F” (full front) to “FAD 10R” (full rear). “FAD 0” represents an equal balance level between the front and rear speakers.

### 4 Equalizer Selector (DSP)

1. Press and hold the **SEL** button (4) for more than 2 seconds to access the menu.
2. Continue pressing the **SEL** button to select “DSP Mode”.
3. Press the volume +/- buttons (3) to select one of the following modes: “POP”, “ROCK”, “CLASSIC”, “FLAT” or “DSP OFF”.

---

**NOTE: When the DSP function is turned off, the unit returns to the user-set bass and treble levels.**

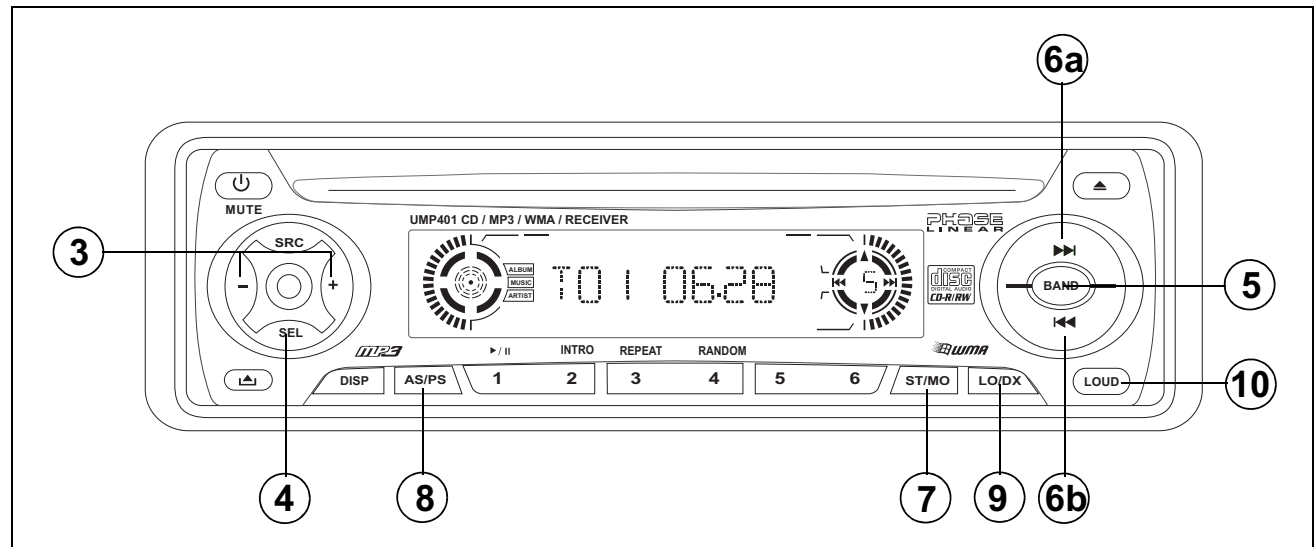
---

### 4 Audible Beep

Press and hold the **SEL** button (4) for more than 2 seconds to access the menu. Continue pressing the **SEL** button to access the Beep Tone menu. Press the volume +/- buttons (3) to select “BEEP ON” or “BEEP OFF”.

### 4 MP3 Multi-Session (MULT)

MULT ON: Will read multi-session and mixed-mode discs.  
MULT OFF: Will read single session discs only.





## OPERATING INSTRUCTIONS

### ④ Seek Mode Selector

1. *Press and hold* the **SEL** button (4) for more than 2 seconds to access the menu.
2. Continue pressing the **SEL** button to select "SEEK" mode.
3. Press the volume **+/-** buttons (3) to select "SEEK 1" or "SEEK 2".
  - SEEK 1: Station search will stop when the next station is received.
  - SEEK 2: Station search will stop when the tune/track (**▶▶**, **◀◀**) button (6a or 6b) is released and the next station is received.

### ④ Turn On Volume Setting

1. *Press and hold* the **SEL** button (4) for more than 2 seconds to access the menu.
2. Continue pressing the **SEL** button to select "VOL ADJ" mode.
3. Press the volume **+/-** buttons (3) to select one of the following modes: "VOL LAST" or "VOL ADJ".
  - VOL LAST: When the unit is turned on, the volume will resume at the level selected when last turned off.
  - VOL ADJ: After selecting "VOL ADJ", press **SEL** to adjust the turn on volume level using the volume **+/-** buttons (3).

### ⑤ AM/FM Band Selector (BAND)

During radio play, each time the **BAND** button (5) is pressed, the radio band changes. The indications "AM1", "AM2", "FM1", "FM2", or "FM3" will appear on the display panel according to your selection.

### ⑥ Tuning Control

Press the tune/track (**▶▶**) button (6a) to manually tune the radio higher, or the tune/track (**◀◀**) button (6b) to manually tune lower. *Press and hold* either the up or down tune/track button (6a and 6b) to seek the next strong station.

### ⑦ FM Mono Select (ST/MO)

During FM radio operation, the **ST/MO** button (7) is used to select monaural or stereo reception of the broadcast signal. Under normal reception conditions, the unit should be left in the stereo mode. If the signal is too noisy for comfortable listening, press the **ST/MO** button; "MONO" will appear in the display panel. To return to stereo reception mode, press the button again.

### ⑧ Auto-Store/Pre-Set Scan (AS/PS)

Press the **AS/PS** button (8) momentarily to scan the 6 stations in the pre-set memory for all FM bands. The unit will stop at each pre-set station for 10 seconds. Press **AS/PS** again to stop scanning and select the current frequency. *Press and hold* the **AS/PS** button for more than 2 seconds to activate the Auto-Store Tuning feature. The radio will automatically scan the band in use and enter the six strongest stations into the pre-set memory positions for that band. Auto-Store will erase any stored stations.

### ⑨ Local Button (LO/DX)

During radio operation, received signals are usually in stereo mode; however, when the signals are weak or intermittent, you can activate the Local mode by pressing the **LO/DX** button (9) ("LOCAL" appears on the display). This mode favors access to local stations whose signals are much stronger; thereby improving radio reception. Press the **LO/DX** button again to terminate Local receive mode ("- DX -" appears on the display).

## OPERATING INSTRUCTIONS

### 10 Loudness Control (LOUD)

When listening to music at low volume levels, this feature will boost the bass and treble ranges to compensate for the characteristics of human hearing. Press the **LOUD** button (10) to activate this feature as indicated by a beep tone and "LOUD ON" appearing on the display panel. ("LOUD" remains on the display.) Press the button again to turn the Loud function off. "LOUD" will disappear.

### 11 Display Selector (DISP)

This unit can display either the clock time or radio frequency/CD player functions. Press the **DISP** button (11) to display the time for approximately 5 seconds. The correct time-of-day can be set by pressing and holding the **DISP** button.

#### Setting the Clock

To set the clock, perform the following steps:

1. Press the **DISP** button (11) to display the clock.
2. *Press and hold* the **DISP** button (11) until the time display flashes.
3. Within 5 seconds, press the volume **-** button (3) to adjust the minutes to the desired setting.

4. Press the volume **+** button (3) to adjust the hour and the AM/PM indication to the desired time.
5. Press the **DISP** button again to return to radio frequency.

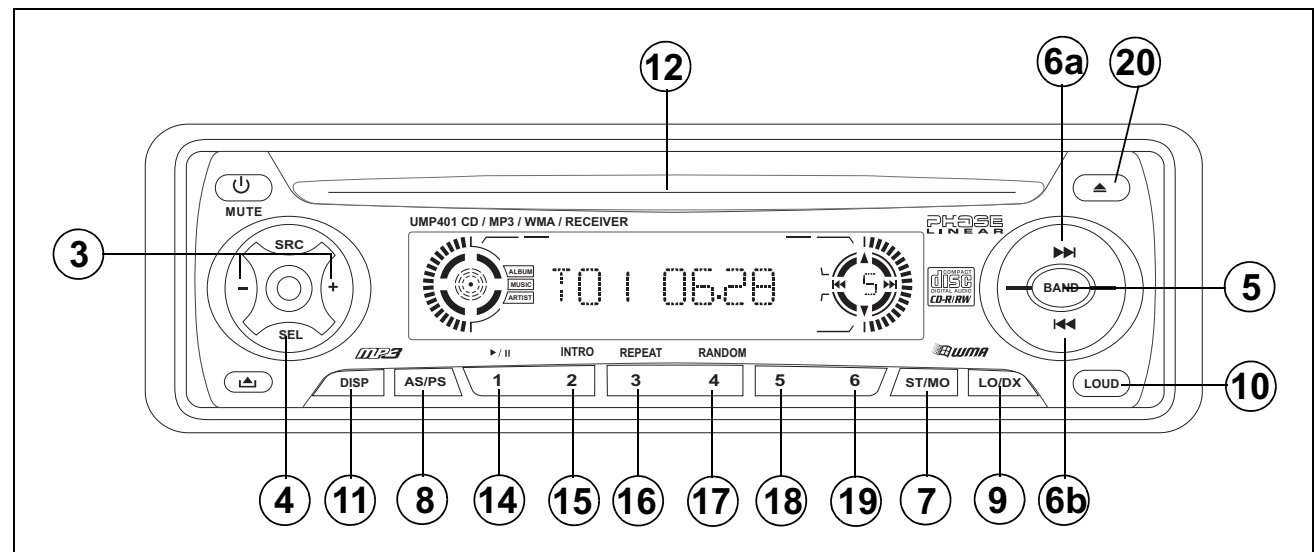
### 14–19 Station Pre-Set Memory

To set any of the 6 pre-set memory buttons, use the following procedure:

1. Turn the unit on and select the desired band.
2. Select the first station to be pre-set using the tune/track buttons (6a and 6b).
3. *Press and hold* a preset button until you hear a confirmation tone. The preset number appears on the display panel. The station is

now stored and can be recalled at any time by pressing the correct preset button.

4. Repeat the above procedure for the remaining 5 presets for the current band. Six stations can be stored for each band.



# CD PLAYER OPERATING INSTRUCTIONS

## 12 Disc Slot

With the label surface facing up, gently insert the disc into the slot until the soft-loading mechanism engages and disc play begins. "S - CDP" will appear on the display panel. Once loaded, the track number and elapsed time will appear.

**NOTE: The unit is designed for play of standard 5" (12 cm.) compact discs only. Do not attempt to use 3" (8 cm.) CD singles in this unit, either with or without an adaptor, as damage to the player and/or the disc may occur. Such damage will not be covered by the warranty on this product.**

## 13 Mode Selector (SRC)

Press the **SRC** button (13) to change between CD player, radio, and Aux In operation. The current mode is indicated on the display panel. During CD player operation, this button may be used to change to radio without ejecting the disc.

## 6 Track Selector

The Track Select functions are used to quickly access the beginning of a particular track. Each time the tune/track (▶▶) button (6a) is pressed,

the next higher track number is selected, as shown on the display panel. Each time the tune/track (◀◀) button (6b) is pressed, the next lower track number is selected, as shown on the display panel.

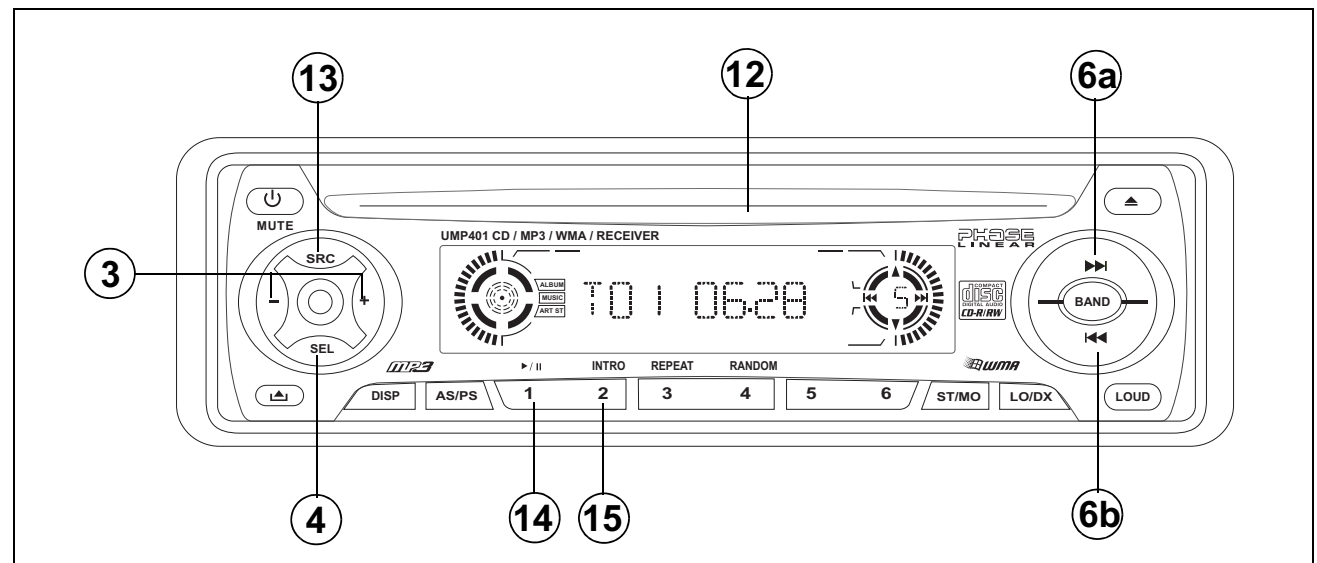
## 6 Cue/Review Functions

Press and hold the tune/track (▶▶) button (6a) to advance rapidly forward or the tune/track (◀◀) button (6b) to advance rapidly backward. During either function, the elapsed time of each track will be shown on the display panel.

## 3, 4 Electronic Skip Protection

Electronic skip protection (ESP) can be activated to assist with playback when rough, uneven road conditions are encountered. To select ESP time:

1. Press and hold the **SEL** button (4) for more than 2 seconds to access the menu.
2. Continue pressing the **SEL** button to select "ESP" mode.
3. Press the volume +/- buttons (3) to select one of the following modes: "ESP 12" or "ESP 45".



## CD PLAYER OPERATING INSTRUCTIONS

### 14 Disc Play/Pause Select

Press the **1/▶/||** button (14) to freeze disc playback. Press **1/▶/||** again to resume disc playback.

### 15 Track INTRO Scan

During disc play, press the **2/INTRO** button (15) to play the first 10 seconds of each track (the “INT” icon will illuminate at the top of the display). When a desired track is reached, press the **2/INTRO** button again to cancel the function and play the selected track. Track Scan mode can also be canceled by activating the Repeat (16) or Random (17) functions.

### 16 Track REPEAT Play Select

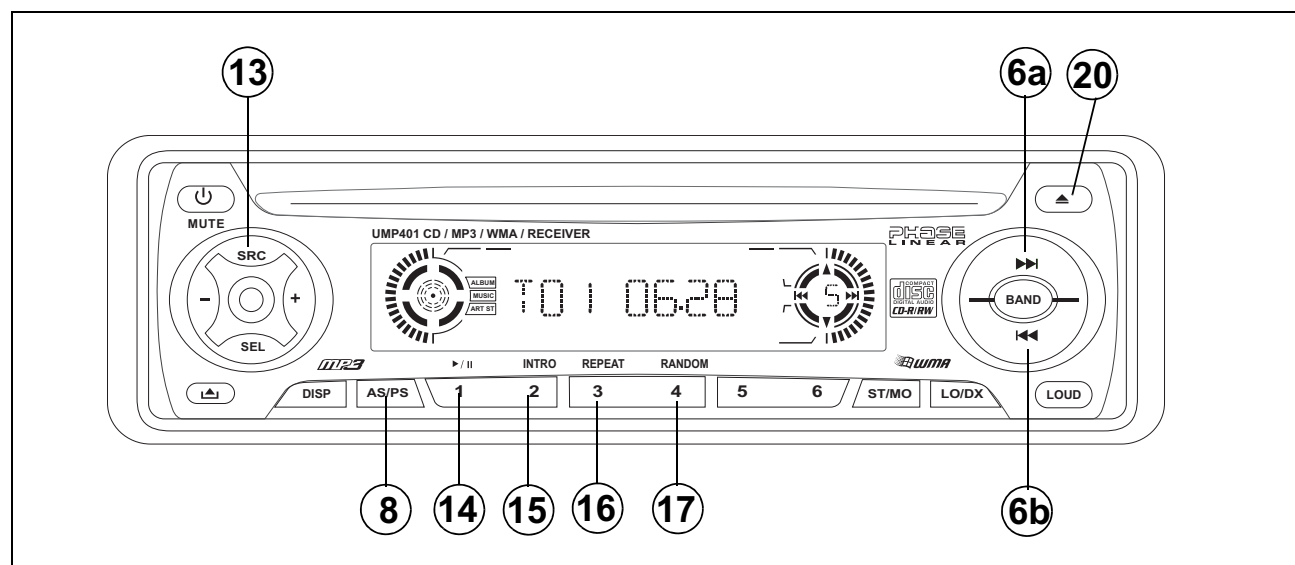
During disc play, press the **3/REPEAT** button (16) to repeat play of the selected track (the “RPT” icon will illuminate at the top of the display). Play of the track will continue to repeat until **3/REPEAT** is pressed again and the “RPT” indication disappears from the display panel. Repeat Play mode can also be canceled by activating the Intro (15) or Random (17) functions.

### 17 RANDOM Play Select

During disc play, press the **4/RANDOM** button (17) to play the tracks on the disc in a random, shuffled order (the “RDM” icon will illuminate at the top of the display). In Random Play mode, you can press the tune/track buttons (6a and 6b) to select tracks in a random order instead of the normal progression. Press **4/RANDOM** again to cancel Random Play mode. Random Play mode can also be canceled by activating the Repeat (16) or Intro (15) functions.

### 20 Disc Eject Button

When the disc eject **▲** button (20) is pressed, disc play is stopped, the disc is ejected, and the unit will change to radio operation. If the disc is not removed from the unit within 15 seconds, the disc will be re-loaded.



## MP3 PLAYER OPERATION

Instructions for Insert/Eject, Play/Pause, Track Selection, Cue/Review, Scan, Repeat, and Random are the same for CD and MP3 operation. Please see the CD Player Operation section for information about these topics.

After inserting an MP3/WMA disc, the folder/file name and ID3 information will scroll across the screen in the following order:

- Elapsed playing time and track number
- Folder name and number
- File name and number
- Song title
- Album title
- Artist name

### Track Search

1. Press the **AS/PS** (8) button once to enable direct track searching (TRK SCH).
2. Press the **SEL** button (4) to select the last digit of the track number ("001" will appear on the display with the "1" blinking).
3. Press the volume +/- buttons (3) to select the last digit of the track number.
4. Press the **SEL** button to confirm the selection and move to the number field to the left (tenth position). Repeat for the third (hundredth) position, if necessary.
5. *Press and hold* the **SEL** button to play the selected song/file.

---

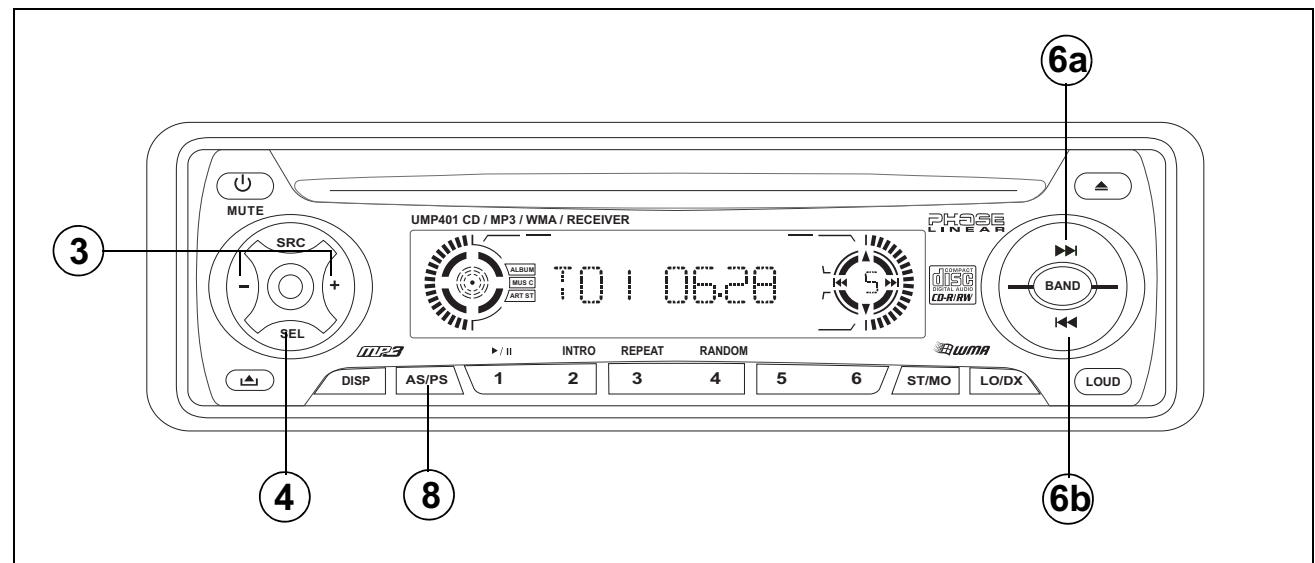
**NOTE: If the selected track number is higher than the maximum file number, the last file will be played.**

---

### File Search

1. Press the **AS/PS** button (8) twice to select file search mode (FILE SCH).
2. Press the **SEL** button (4) to confirm.
3. Press the volume +/- buttons (3) to move to the next or previous folder.
4. Choose to play the entire folder or a specific song in the selected folder:

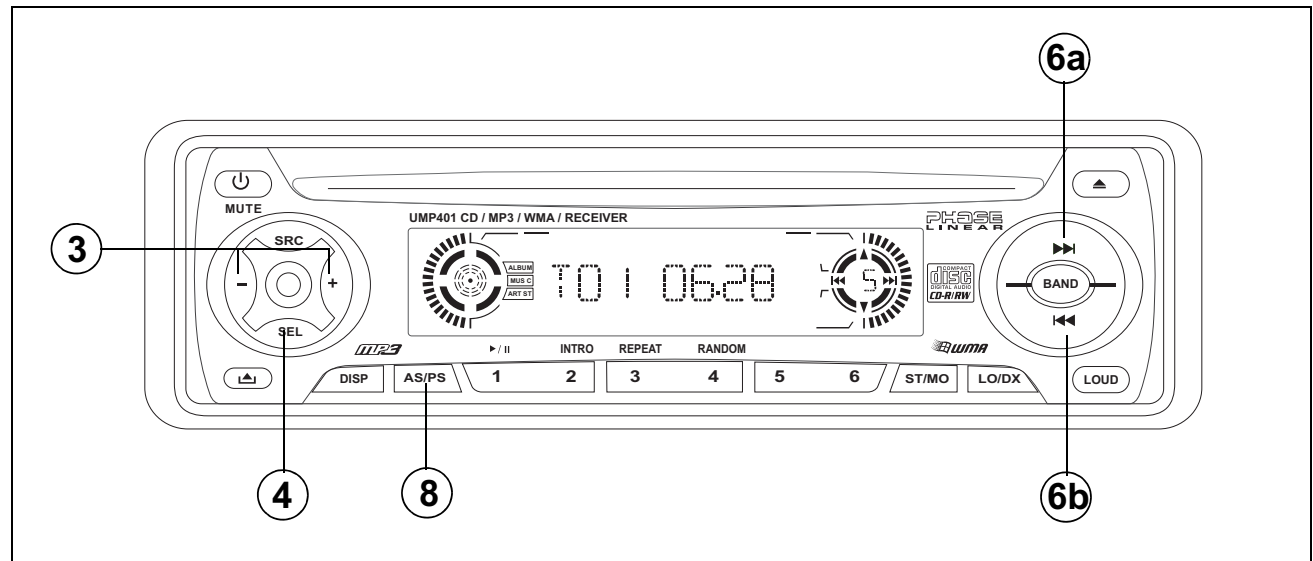
- Press the **SEL** button to choose the folder, and then press the volume +/- buttons (3) to choose a specific song in the selected folder. Press the **SEL** button to play the selected track.
- *Press and hold* the **SEL** button to play all songs in the selected folder.



## MP3 PLAYER OPERATION

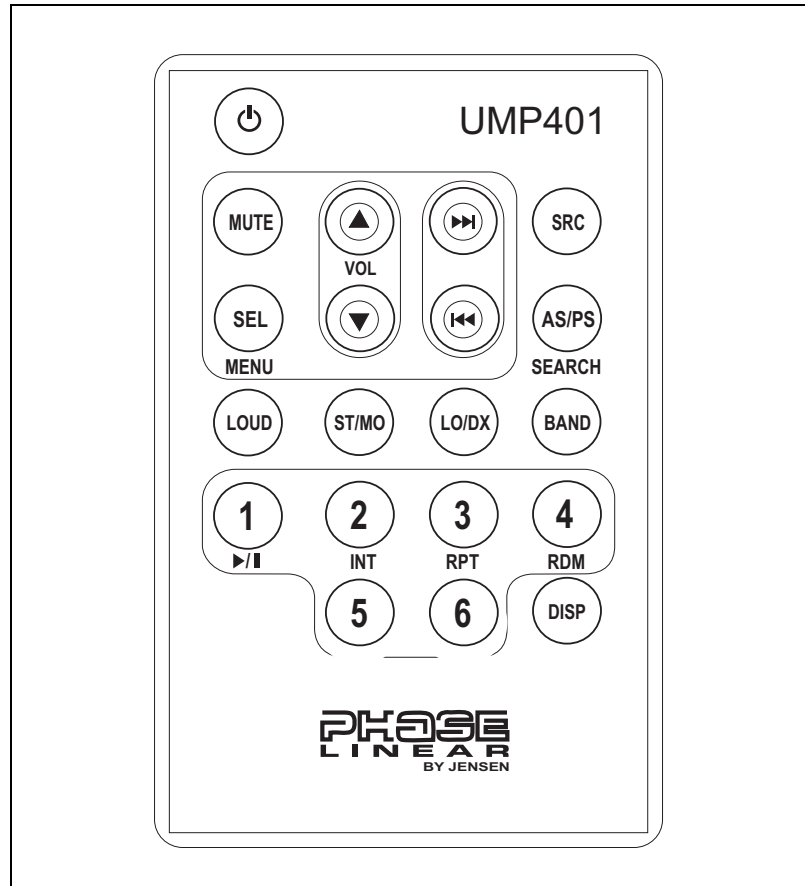
### Character Search

1. Press the **AS/PS** (8) button three times to enable character search mode (CHAR SCH).
2. Press the **SEL** button (4) to select the first character position.
3. Press the volume **+/-** buttons (3) to select the first character of the desired track.
4. Press the **SEL** button to confirm and move to the next character position.
5. Press the volume **+/-** buttons (3) to select the second character of the desired song/file.
6. Continue entering up to 8 characters.
7. *Press and hold* the **SEL** button to play the selected song/file.
8. Press the **SEL** button to confirm.



## REMOTE CONTROL

The remote control will allow you to control the basic functions of the UMP401. The remote control sensor is located to the left of the LCD panel.





## CARE AND MAINTENANCE

Your new radio/CD player does not require any maintenance. However, proper understanding of its use and handling will help you obtain maximum enjoyment of its capabilities. We recommend that you keep this manual for reference on the many features of this unit as well as how to set the clock. The following points should be observed:

- When cleaning the interior of the vehicle, do not get water or cleaning fluids on the unit.
- The CD player is a precision instrument and will not operate properly in extreme heat or cold. If such conditions occur, wait until the interior of the vehicle reaches a normal temperature before using the player.
- If the temperature inside the player gets too hot, a protective circuit will automatically stop play of the disc. In this case, allow the unit to cool before operating the player again.
- Never insert anything other than a 5" (12 cm) compact disc into the player as the mechanism can be damaged by foreign objects.
- Do not attempt to use 3" (8 cm) CD-Single discs in this unit, either with or without an adaptor, as damage to the player and/or disc may occur. Such damage will not be covered by the Warranty on this product.
- When not using the disc player, always remove the compact disc. Do not leave an ejected disc sitting in the disc slot as this can expose it to sunlight and other causes of damage.
- Do not attempt to open the unit chassis. There are no user-serviceable parts or adjustment points inside.
- When the vehicle warms up during cold weather or under damp conditions, condensation may appear on the lens of the disc player. Should this occur, the player will not operate properly until the moisture has evaporated.
- The unit is designed with a vibration dampening CD mechanism to minimize interruption of disc play due to normal vibration. When driving on rough roads, however, occasional sound skips may occur. This will not scratch or damage the disc and normal play will resume when the rough conditions cease.

### Handling Compact Discs

Dirt, dust, scratches and warping can cause skips in the playback and deterioration of sound quality. Please follow these guidelines to take care of your compact discs:

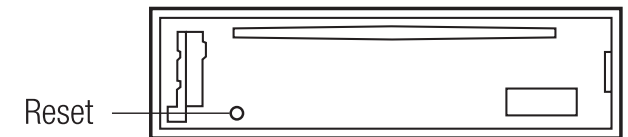
- Carefully wipe fingerprints, dust and dirt from the disc's playing surface with a soft cloth.

Wipe in a straight motion from the center to the outside of the disc.

- Never use chemicals such as record sprays or household cleaners to clean CDs, as they can irreparably damage the disc's surface.
- Discs should be kept in their storage cases when not in use.
- Do not expose discs to direct sunlight, high temperatures or high humidity for long periods.
- Do not stick paper, tape or labels on disc surfaces.

---

### RESET BUTTON



***A Reset button is located behind the faceplate on the left side (the front panel must be removed to access the button). The Reset function should only be activated under the following circumstances: Upon initial installation after all wiring is completed; If there is a malfunction of any of the switches on the unit, pressing the Reset button may clear the system and return to normal operation.***

---



## SPECIFICATIONS

### CD-R and CD-RW Capability

Depending on media type and method of "recording/burning", some CD-R/RWs may be incompatible with this unit. After "recording/burning", **the session must be closed**. Please refer to your software's recommended procedures for closing a disc/session. Review your recording software to familiarize yourself with the correct "recording/burning" procedures. We recommend using the latest versions of ROXIO™ or NERO™ burning software. This unit will only recognize the **CDDA (Compact Disc Digital Audio)**, **.MP3** and **.WMA** formats "recorded / burned" onto a CD-R/RW. This unit does not support .WAV, .OGG or other formats.

### Technical Specifications



#### Marketing Power

160 watts Peak, 40 watts X 4

#### CEA Power

Power Output: 13 watts RMS X 4 channels into 4-ohms @ < 1% THD+N  
 Signal to Noise Ratio: 70dBA below reference.  
 (Reference: 1 watt, 4-ohms)  
 Frequency Response: 20Hz to 20kHz, -3dB  
 Reference Supply Voltage: 14.4VDC

#### CD Player

Signal to Noise Ratio @ 1kHz: >90dBA  
 Frequency Response: 20Hz ~ 20kHz, -3dB  
 Channel Separation @ 1kHz: > 60dB  
 ESP (Electronic Skip Protection) Buffer  
 Size: 2MB (16Mbit, **not 16MB**)  
 CD: >10 seconds, nominal  
 MP3: > 30 seconds, nominal  
 WMA: >60 seconds, nominal

#### FM Tuner

Mono Sensitivity @ -30dB: 11dBf  
 Quieting Sensitivity @ -50dB: 15dBf  
 Stereo Separation @ 1kHz: >30dB  
 Frequency Response: 30Hz ~ 12kHz, -3dB

#### AM Tuner

Sensitivity @ -20dB: 15uV  
 Signal to Noise @ 1kHz: >50dB  
 Frequency Response: 30Hz ~ 2kHz, -3dB

#### General

Power Supply: 11 to 16VDC, negative ground  
 Fuses: 15 amp, ATO  
 Dimensions: 7" X 7" X 2" (178mm x 178mm x 51mm)

**Specifications subject to change without notice.**



# UMP401

## Manual del Usuario

For instructions in English, please refer to page 2.

Pour des instructions en Francais, référez-vous à la page 38.

## PREPARACIÓN

### Comenzando

Es buena idea leer completamente las instrucciones antes de iniciar la instalación.

#### Contenido

Instrucciones de Instalación .....	21
Cableado .....	23
Instalación de la Cubierta Desmontable..	24
Instrucciones de Operación.....	25
Instrucciones de Operación del Reproductor de CD .....	29
Operacion del Equipo de MP3 .....	31
Control Remoto .....	33
Cuidados y Mantenimiento.....	34
Especificaciones.....	35

### Requisitos para la Instalación

Esta unidad está diseñada para instalarse en autos, camiones y camionetas con abertura para radio preexistente. En muchos casos, se necesitará un equipo de instalación especial para montar el radio al tablero de instrumentos. Estos equipos se consiguen en tiendas de artículos electrónicos o tiendas de estéreos para automóviles. Antes de comprar el equipo, asegúrese de que funcione con su vehículo. Si necesita un equipo de instalación pero no puede conseguirlo, llame a nuestra línea de

atención al cliente al 1-800-645-4994 (sólo para U.S.A. y Canadá).

### Herramientas y Provisiones

Las siguientes herramientas y provisiones son necesarias para instalar el radio:

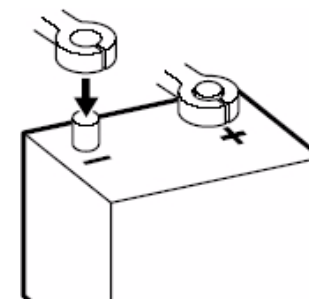
- Llave torx, destornilladores plano y Philips
- Cúter y peladores de cables
- Herramientas para remover la radio existente (destornillador, equipo de llave de casquillo y otras herramientas)
- Cinta aisladora
- Enganchador
- Voltímetro / luz de prueba
- Conexiones para enganchar
- Cable de calibre 18 para conexiones eléctricas, cable de altavoz de calibre 16 a 18

### Requerimientos del Altavoz

Solamente conecte los altavoces de carga de impedancia de 4 ohms. Altavoces con una carga de impedancia menor a los 4 ohms pueden dañar la unidad.

### Desconecte la Batería

Antes de empezar, siempre desconecte la terminal negativa de la batería.



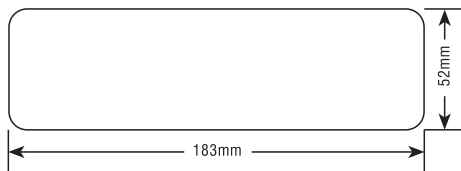
### Asistencia Gratuita en la Instalación

Si requiere asistencia, llame al Soporte Técnico al 1-800-323-4815 de lunes a viernes de 8:30 AM a 7:30 PM tiempo del este y los sábados de 9:00 AM a 5:00 PM tiempo del este (para USA y Canadá solamente.)

# INSTRUCCIONES DE INSTALACIÓN

## Instalación Utilizando una Manga de Montaje

1. Deslice la manga de montaje fuera del chasis. Si está trabada, utilice la herramienta para quitarla (provista).
2. Verifique el tamaño de apertura del tablero deslizando la manga de montaje adentro del mismo.



Si la apertura no es lo suficientemente grande, cuidadosamente córtela o límela hasta que la manga se deslice hacia adentro sin dificultad. No fuerce la manga al introducirla en la apertura ni provoque que se doble. Verifique si hay suficiente espacio detrás del tablero para el chasis del radio.

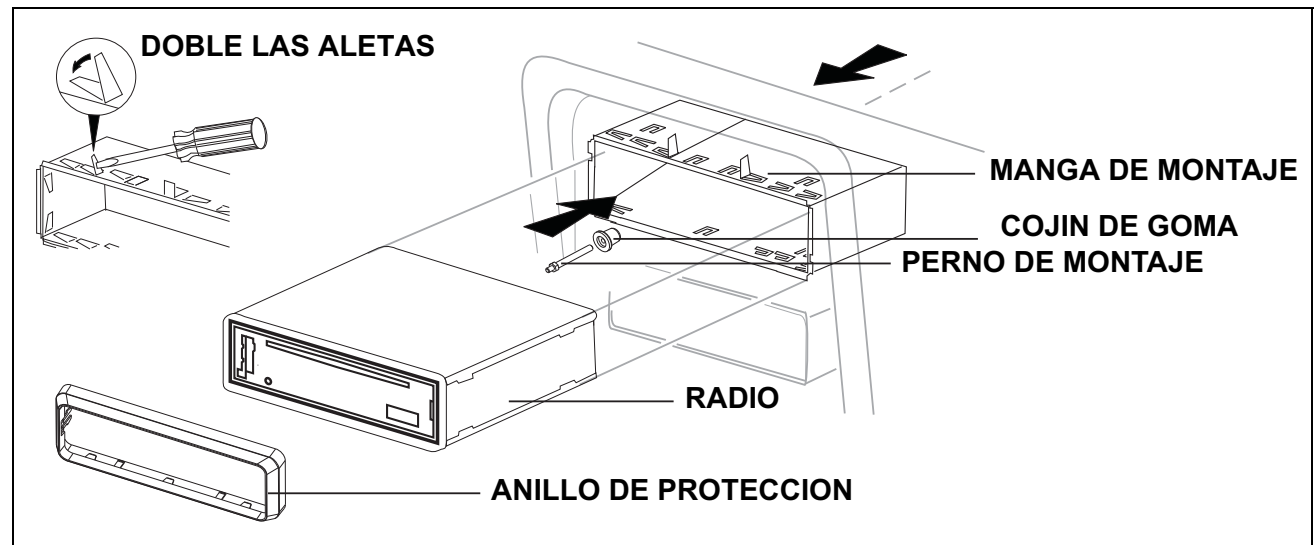
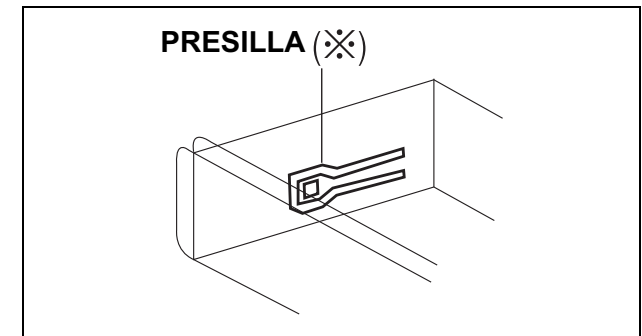
3. Localice la serie de lengüetas para doblar en la parte superior, inferior y costados de la manga de montaje. Con la manga completamente insertada en la apertura del tablero, doble hacia afuera todas las lengüetas que sean necesarias para que quede sujeta firmemente al tablero.
4. Ubique el radio en frente de la apertura del tablero de manera tal que los cables puedan pasar por la manga de montaje. Siga el diagrama de cableado detalladamente y asegúrese de que todas las conexiones estén seguras y aisladas con tuercas para cables y cinta aisladora para

asegurar el apropiado funcionamiento de la unidad. Luego de completar las conexiones del cableado, encienda la unidad para confirmar la operación (la ignición del vehículo debe estar encendida). Si la unidad no opera, verifique nuevamente todas las conexiones de cables hasta que se solucione el problema.

**CUIDADO:** Para una correcta operación del equipo de CD, el chasis debe estar montado dentro de los 20° de horizontalidad. Asegúrese de que la unidad esté montada dentro de este límite.

5. Asegúrese de que el radio tenga el lado correspondiente hacia arriba, luego cuidadosamente deslícelo dentro de la manga de montar hasta que esté com-

- pletamente asentado y las presillas lo traben en su lugar.
6. Asegure la parte trasera de la unidad al cuerpo del automóvil usando el perno y el cojín de goma.
  7. Verifique la operación del radio leyendo las Instrucciones de Operación.



## INSTRUCCIONES DE INSTALACIÓN

### Equipo de Instalación

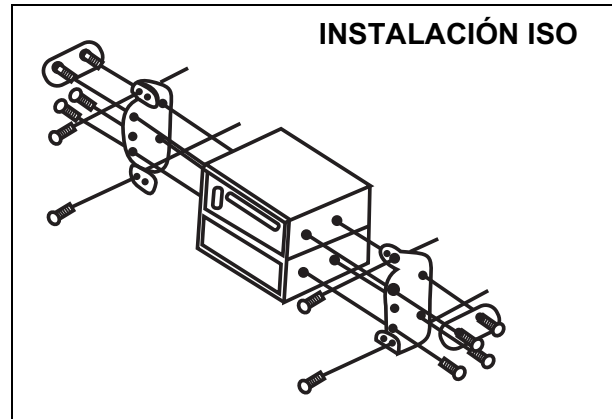
Si su vehículo requiere el uso de un equipo de instalación par amontar este radio, siga las instrucciones incluidas con el equipo de instalación para adherir el radio al plato de montaje provisto en el equipo.

1. Conecte el cable y verifique el radio como se determina en las instrucciones de Instalación Universal.
2. Instale el radio o el ensamblaje del plato de montaje al segundo tablero, de acuerdo a las instrucciones en el equipo de instalación.
3. Adjunte la cinta de soporte al radio y al tablero como se describe en las instrucciones de Instalación Universal.
4. Reemplace el panel de ajuste del tablero.

### Instalación ISO

Esta unidad tiene agujeros roscados en los paneles laterales de chasis que pueden utilizarse con las ménsulas de montar originales de fábrica que vienen con algunos vehículos para motar el radio al tablero. Por favor, consulte en su tienda local de estéreos de automóviles si necesita asistencia en este tipo de instalación.

1. Quite del tablero el radio existente de fábrica o centre la consola de montaje. Guarde todos los elementos y ménsulas pues serán utilizados para montar el nuevo radio.



2. Con cuidado destrabe el marco plástico del frente del chasis del nuevo radio. Quite y deseche el marco.
3. Quite las ménsulas y elementos de montaje que vienen de fábrica con el radio existente y adhiéralos al nuevo radio.

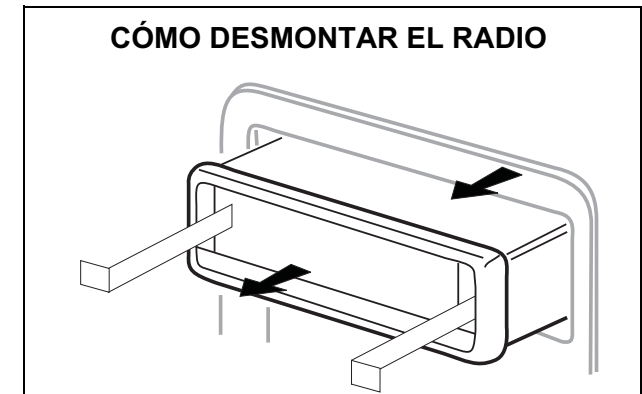
**NOTA: No exceda el tamaño de tornillo de M5 x 9MM. Tornillos más largos pueden tocar y dañar componentes dentro del chasis.**

4. Conecte los cables del nuevo radio al vehículo como se especifica en las instrucciones de Instalación Universal.

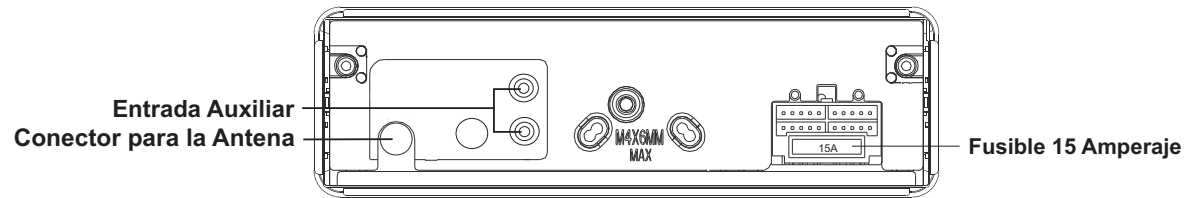
5. Monte el ensamblaje del nuevo radio al tablero o a la consola central utilizando el procedimiento reverso al paso 1.

### Cómo Desmontar el Radio

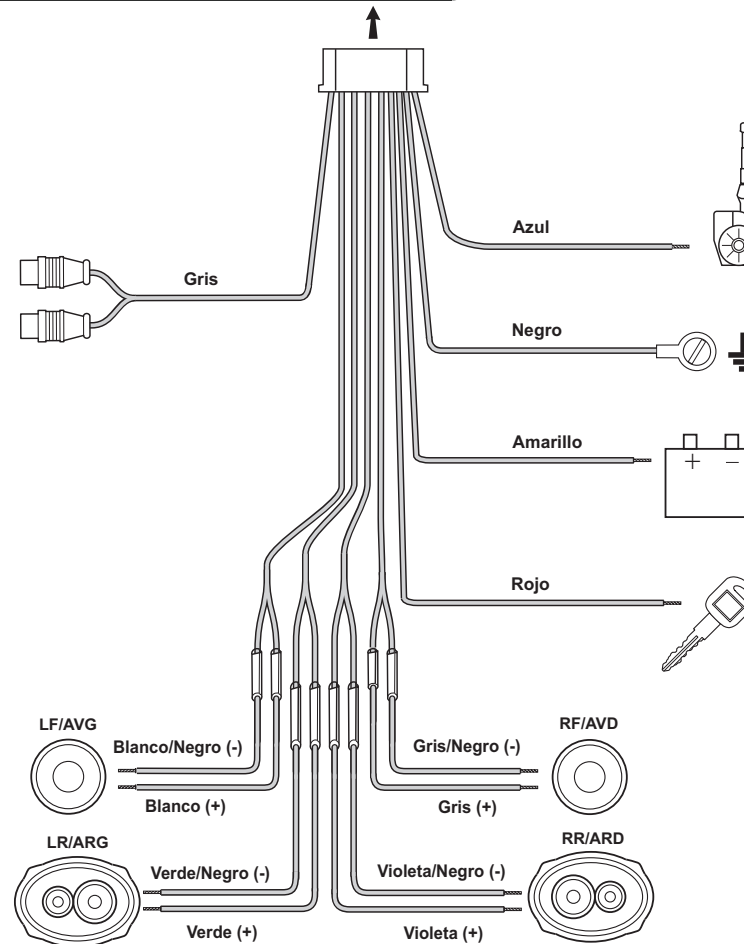
Inserte la(s) herramienta(s). Hale el radio hacia afuera. Desconecte el arnés del cableado, y quite el radio.



# CABLEADO



**Conexión del Amplificador**  
 Conecte la línea de salida para una amplificación externa óptima. El conector rojo es para la derecha y el blanco para la izquierda.



### Alimentación Antena

Conectar a la antena o al amplificador. Si no se utilizara el cable, se debe recubrir la punta del cable.

### Conexión a Tierra

Conectar a la terminal de tierra.

### Memoria/Batería

Conectar a la batería o a la fuente de energía de 12 voltios que está siempre viva. La radio no funcionará si este cable no está conectado.

### Accesorio/Ignición

Conectar al cable de la radio o al fusible de la radio.

### Fusibles

Cuando reemplace un fusible asegúrese que el fusible nuevo sea del tipo correcto y tenga el amperaje adecuado. Si utiliza un fusible incorrecto.

**¡CUIDADO! Nunca combine (hacer puente) las salidas para utilizar sólo 1 altavoz.**

**¡CUIDADO! Nunca tome a tierra las puntas negativas del altavoz utilizando el piso del chasis.**

**CUIDADO: El no colocar los cables exactamente como se muestra puede causar daños eléctricos al radio.**

## INSTALACIÓN DE LA CUBIERTA DESMONTABLE

### Instalación de la Cubierta

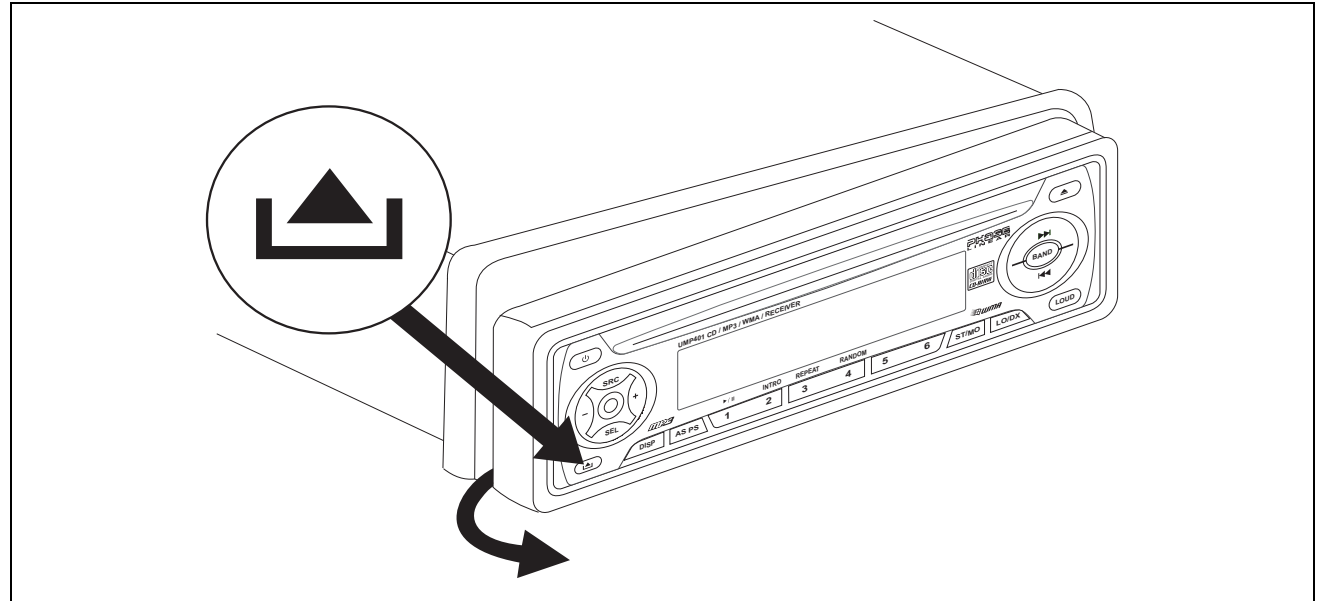
Para instalar la cubierta desmontable, deslice el borde izquierdo del panel delantero dentro del radio, luego suavemente presione el lado derecho hasta trabarlo.

### Desprendimiento de la Cubierta

Para quitar la cubierta, presione el botón release ▲, y jale suavemente del lado derecho del panel. Por seguridad, mantenga el panel delantero en la caja de protección suministrada.

### Precauciones al Manipular

- Asegúrese de que el panel delantero tenga el lado correspondiente hacia arriba cuando lo adhiera al chasis, dado que no puede ser adherido si está al revés.
- No presione con fuerza el panel delantero cuando lo adhiera al chasis. No es necesaria más que una presión moderada.
- Cuando adhiera el panel delantero, asegúrese que esté centrado en el marco del chasis y que lo está presionando justo en su lugar.
- No deje caer el panel delantero.
- No presione la pantalla o los botones de control cuando manipule el panel delantero.



- No toque los contactos del panel delantero o de la unidad principal.
- Quite la suciedad o sustancias externas solamente con una tela limpia y seca.
- No exponga el panel delantero a temperaturas extremas o al sol.
- Mantenga agentes volátiles tales como bencina, solvente o insecticidas lejos del panel delantero.
- No desarme el panel delantero.
- Cuando lleve el panel delantero con usted, por favor utilice la caja suministrada para protegerlo de daños o suciedades.
- Asegúrese de que no haya polvo o suciedad en las terminales eléctricas de la parte trasera del panel, pues esto puede causar operación intermitente u otro tipo de mal funcionamiento.



# INSTRUCCIONES DE OPERACIÓN

## 1 Botón de Encendido / Apagado

Presione el botón de encendido (1) (o cualquier botón excepto "eject" o el botón de liberación) para encender la unidad. Mantenga presionado el botón de encendido para apagar la unidad.

## 1 Audio Mudo

Presione el botón de encendido/**MUTE** (1) para silenciar el volumen del sistema. En pantalla aparecerá "MUTE ON". Presione nuevamente **MUTE** para volver al nivel de volumen en uso antes de que se active la función de Audio Mudo.

## 2 Panel de Pantalla de Cristal Líquido

La Pantalla de Cristal Líquido (LCD, por sus siglas en inglés) exhibe la frecuencia del radio, la hora y todas las funciones activas.

**NOTA:** Es una característica de los paneles LCD que si son sometidos a bajas temperaturas por periodos de tiempo prolongados, pueden necesitar más tiempo para iluminarse que bajo condiciones normales. Además, puede bajar levemente la visibilidad de los números en el LCD. La visibilidad del LCD retornará a la normalidad cuando la temperatura dentro del vehículo suba a un rango normal.

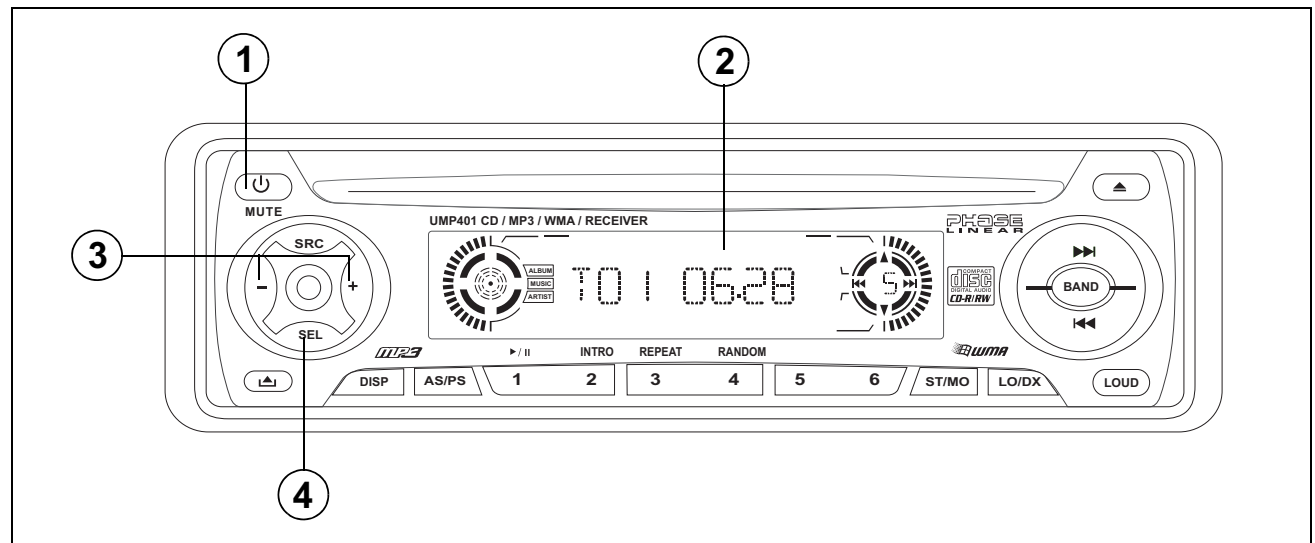
## 3 Control de Volumen

Para subir el nivel de volumen, presione el botón de volumen + (3). Para bajar el nivel de volumen, presione el botón de volumen - (3). El volumen incrementará o disminuirá y el nivel aparecerá en la pantalla del panel desde un mínimo de "VOL 0" a un máximo de "VOL 47". La pantalla automáticamente volverá a lo que exhibe normalmente 5 segundos luego del último ajuste de volumen o cuando se active otra función. El control de volumen también se utiliza en conjunto con el botón **SEL** (4) para ajustar los niveles de sonidos graves (bass), agudos (treble), balance izquierdo-derecho (balance) y balance delantero-trasero (fader).

## 4 Control de Graves

Para ajustar el nivel de sonidos graves, primero seleccione el modo de Control de Graves presionando el botón **SEL** (4) hasta que "BAS" aparezca en pantalla. Dentro de los cinco segundos, presione los botones de volumen +/- (3) para ajustar los sonidos graves desde un mínimo de "BAS -7" hasta un máximo de "BAS 7". "BAS 0" representa un sonido neutro.

**NOTA:** Usted puede ajustar las opciones de sonidos graves (Bass) o agudos (Treble) cuando está activo el Ecuador con Configuraciones Previas (DSP).



## INSTRUCCIONES DE OPERACIÓN

### 4 Control de Agudos

Para ajustar el nivel de agudos, presione el botón **SEL** (4) hasta que "TRB" aparezca en la pantalla del panel. Dentro de los cinco segundos, presione los botones de volumen +/- (3) para ajustar los sonidos agudos desde un mínimo de "TRB -7" hasta un máximo de "TRB 7". "TRB 0" representa un sonido neutro.

### 4 Balance Izquierdo-Derecho

Para ajustar el balance de altavoces izquierdo-derecho, presione y suelte el botón **SEL** (4) hasta que "BAL" aparezca en la pantalla del panel. Dentro de los cinco segundos siguientes, rote el control de volumen +/- (3) para ajustar el balance entre los altavoces izquierdo y derecho desde "BAL 10L" (completamente a la izquierda) hasta "BAL 10R" (completamente a la derecha). "BAL 0" representa un balance equilibrado entre los altavoces derecho e izquierdo.

### 4 Balance Delantero/Trasero

Para ajustar el balance delantero-trasero, presione el botón **SEL** (4) hasta que "FAS" aparezca en la pantalla del panel. Dentro de los cinco segundos siguientes, presione los botones de volumen +/- (3) para ajustar el balance entre los altavoces delantero y trasero desde "FAD 10F" (completamente adelante) hasta "FAD 10R" (completamente atrás). "FAD 0" representa un balance equilibrado entre los altavoces delanteros y posteriores.

### 4 Selector de Ecuador (DSP)

1. Mantenga presionado el botón **SEL** (4) por más de 2 segundos para acceder al menú.
2. Continúe presionando el botón **SEL** para seleccionar "DSP Mode".
3. Presione los botones de volumen +/- (3) para seleccionar uno de los siguientes modos: "POP", "ROCK", "CLASSICS"(clásicos), "FLAT" o "DSP OFF" (Apagado).

**NOTA:** Cuando la función DSP no está activa, la unidad va a retornar a los niveles graves y agudos seleccionados por el usuario.

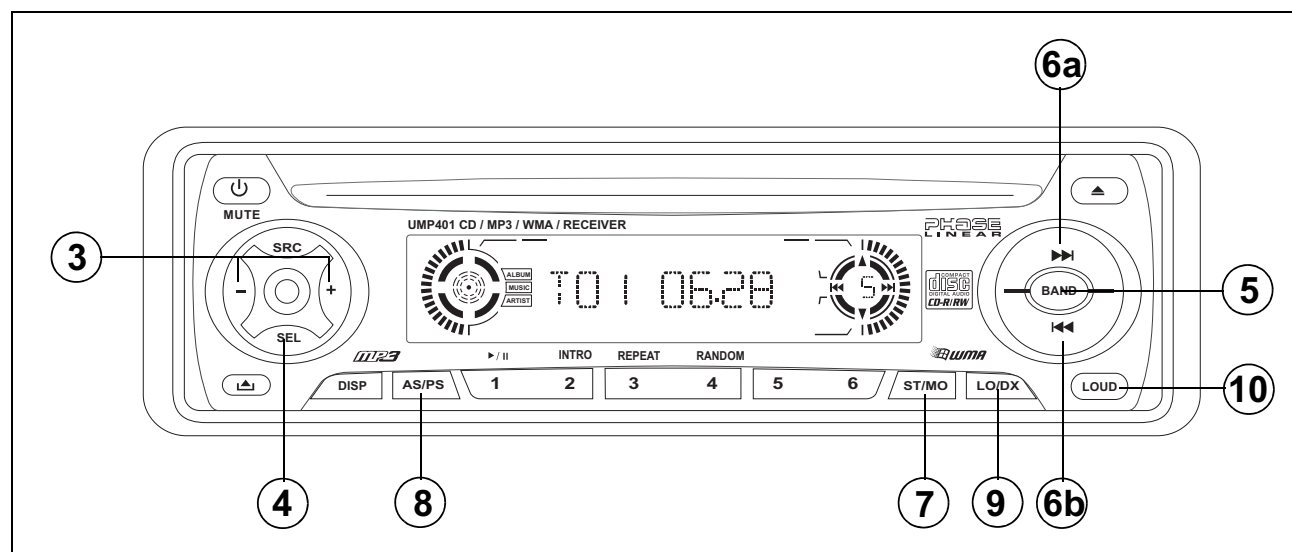
### 4 Pitido Audible

Mantenga presionado el botón **SEL** (4) por más de 2 segundos para acceder al menú. Continúe presionando el botón **SEL** para acceder al menú de Tono Bip (Beep Tone). Presione los botones de volumen +/- (3) para activar ("BEEP ON") o desactivar ("BEEP OFF") el tono de bip.

### 4 MP3 Sesión Múltiple (MULT)

MULT ON: Leerá la sesión múltiple y discos mezclados del modo.

MULT OFF: Leerá el solo disco de la sesión solamente.



# INSTRUCCIONES DE OPERACIÓN

## 4 Selector de Modo de Búsqueda

- Mantenga presionado el botón **SEL** (4) por más de 2 segundos para acceder al menú.
- Continúe presionando el botón **SEL** para seleccionar el modo de búsqueda o "SEEK".
- Presione los botones de volumen +/- (3) para activar la búsqueda 1 ("SEEK 1") o la búsqueda 2 ("SEEK 2").
  - SEEK 1: La búsqueda de estaciones terminará cuando la próxima estación se reciba.
  - SEEK 2: La búsqueda de estaciones terminará cuando el botón de sintonía/pista (▶▶, ◀◀) (6a o 6b) se libere y la próxima estación se reciba.

## 4 Volumen de Encendido

- Mantenga presionado el botón **SEL** (4) por más de 2 segundos para acceder al menú.
- Continúe presionando el botón **SEL** para seleccionar el modo de ajuste de volumen "VOL ADJ".
- Presione los botones de volumen +/- (3) para seleccionar uno de los siguientes modos: "VOL LAST" o "VOL ADJ".
  - VOL LAST: Cuando la unidad está encendida, el volumen se reasumirá en el nivel seleccionado cuando fue apagado por última vez.
  - VOL ADJ: Luego de seleccionar "VOL ADJ", presione **SEL** para ajustar la vuelta en nivel

del volumen usando los botones del volumen +/- (3).

## 5 Selector de Banda AM/FM (BAND)

Durante la operación del radio, cada vez que se presione el botón BAND (5), la banda del radio cambia. Las indicaciones "AM1", "AM2", "FM1", "FM2" o "FM3" aparecerán en la pantalla de acuerdo a su selección.

## 6 Control de Sintonía

Presione el botón de sintonía/pista (▶▶) (6a) para sintonizar manualmente una estación más arriba, o el botón de sintonía/pista (◀◀) (6b) para sintonizar manualmente una estación más abajo. Mantenga presionado el botón de sintonía/pista hacia arriba o hacia abajo (6a y 6b) para buscar la próxima estación fuerte.

## 7 Selección de FM Mono (ST/MON)

Durante la operación de radio FM, el botón **ST/MO** (7) se utiliza para seleccionar recepción monoaural o estéreo de la señal de transmisión. Bajo condiciones normales de recepción, la unidad se debe dejar en modo estéreo. Si la señal es muy ruidosa para una recepción cómoda, presione el botón **ST/MO**; aparecerá "MONO". Para volver a una recepción estéreo, presione el botón nuevamente.

## 8 Sintonía con Almacenaje Automático / Escaneo de Memorias Almacenadas (AS/PS)

Presione el botón **AS/PS** (8) momentáneamente para escanear 6 estaciones almacenadas en la memoria en todas las bandas FM. La unidad se detendrá en cada estación por 10 segundos. Presione nuevamente **AS/PS** para detener el escaneo y seleccionar la frecuencia actual. Mantenga presionado el botón **AS/PS** por más de 2 segundos para activar la función de Sintonía con Almacenaje Automático. El radio automáticamente buscará en la banda en uso y guardará en las posiciones de la memoria las estaciones potentes. El Almacenaje Automático borrará las radios guardadas.

## 9 Botón Local (LO/DX)

Durante la operación del radio, las señales recibidas están usualmente en modo estéreo; sin embargo, cuando las señales son débiles o intermitentes, usted puede activar el modo Local presionando el botón **LO/DX** (9) ("LOCAL" aparece en pantalla). Este modo favorece el acceso a estaciones locales cuyas señales sean más fuertes, mejorando en consecuencia la recepción del radio. Presione el botón **LO/DX** nuevamente para finalizar el modo de recepción Local ("- DX -" aparece de pantalla).

## INSTRUCCIONES DE OPERACIÓN

### 10 Control de Sonoridad (LOUD)

Cuando escuche música en niveles de volumen bajo, esta función potenciará los rangos bajos y agudos para compensar por las características del oído humano. Presione el botón **LOUD** (10) para activar esta función como se indica por un pitido y "LOUD ON" aparecerá en pantalla. ("LOUD" permanecerá en pantalla.) Presione el botón nuevamente para apagar la función de sonoridad (Loud). "LOUD" desaparecerá.

### 11 Selector de Visualización (DISP)

Esta unidad puede exhibir ya sea el reloj o la frecuencia del radio y las funciones de reproducción de CD. Presione el botón de visualización (**DISP**, 11) para exhibir la hora por aproximadamente 5 segundos. La hora correcta se puede configurar manteniendo presionado el botón **DISP**.

#### Poniendo en Hora el Reloj

Para poner en hora el reloj, siga las siguientes instrucciones:

1. Presione el botón **DISP** (11) para ver el reloj.
2. Mantenga presionado el botón **DISP** (11) hasta que la hora destelle en pantalla.

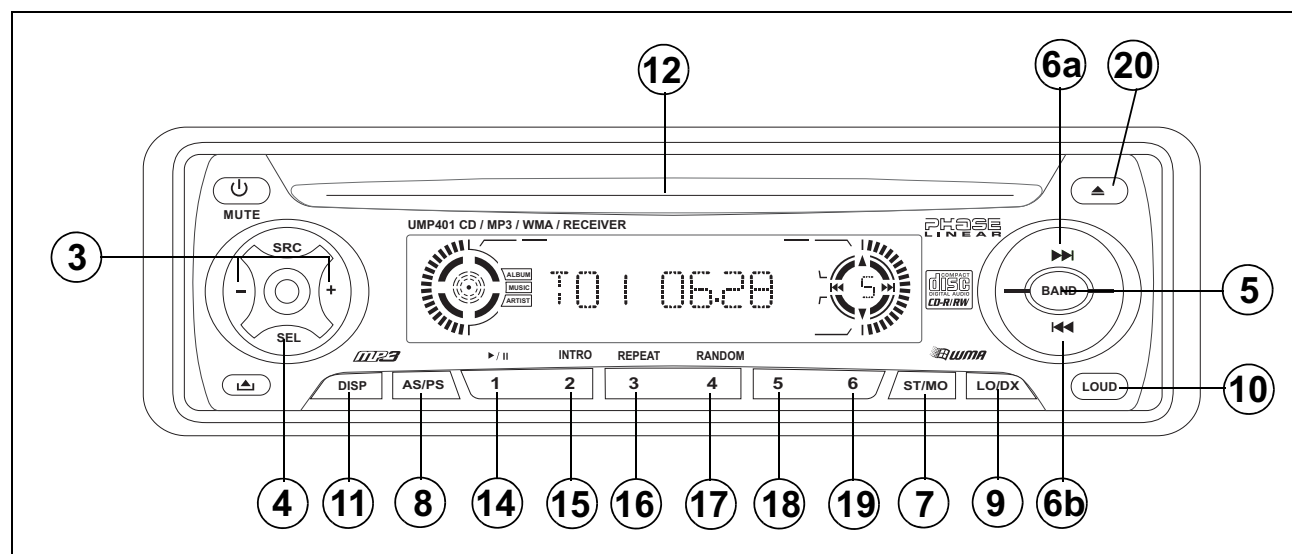
3. Dentro de los 5 segundos, presione el botón de volumen – (3) para ajustar los minutos como se desee.
4. Presione el botón volumen + (3) para ajustar la hora y la indicación de AM o FM como se desee.
5. Presione nuevamente el botón **DISP** para volver a la frecuencia de radio.

### 14–19 Memorias para Almacenar Estaciones de Radio

Para configurar cualquiera de los 6 botones de memoria, utilice el siguiente procedimiento:

1. Encienda la unidad y seleccione la banda deseada.

2. Seleccione la primera estación que desee almacenar utilizando los botones de sintonía/pista (6a y 6b).
3. Mantenga presionado un botón para almacenar en memoria hasta que escuche un tono de confirmación. El botón de preselección aparece en pantalla. La estación está ahora guardada y se puede acceder a ella en cualquier momento presionando el botón asociado a ella.
4. Repita el procedimiento explicado arriba para las 5 memorias restantes en la banda actual. Se pueden almacenar seis estaciones para cada banda.



# INSTRUCCIONES DE OPERACIÓN DEL REPRODUCTOR DE CD

## 12 Ranura para Disco

Con el sello hacia arriba, suavemente inserte el disco en la ranura hasta que el mecanismo suavemente lo enganche y la reproducción del disco comience. En pantalla aparecerá "S - CDP". Una vez cargado el CD, el número de pista y el tiempo transcurrido aparecerán en la pantalla.

**NOTA: La unidad está diseñada para pasar discos compactos estándar de 5" solamente (12 cm.). No intente utilizar CD simples de 3" (8 cm.) en esta unidad, con o sin adaptador, pues puede causar daños en el equipo y/o en el disco. Tales daños no serán cubiertos por la garantía de este producto.**

## 13 Selector de Modo (SRC)

Presione el botón de modo (SRC, 13) para cambiar entre de reproducción de CD, la operación de radio y de Aux In. El modo actual se indica en pantalla. Durante la operación de CD, este botón puede ser usado para cambiar el radio sin quitar el disco.

## 6 Selector de Pista

Las funciones del Selector de Pista se utilizan para acceder rápidamente al inicio de una pista en particular. Cada vez que el botón de sintonía/pista (▶▶) (6a) se oprime, el número de la pista siguiente es seleccionado como se

muestra en pantalla. Cada vez que el botón de sintonía/pista (◀◀) (6b) se oprime, el número de la pista anterior es seleccionado como se muestra en pantalla.

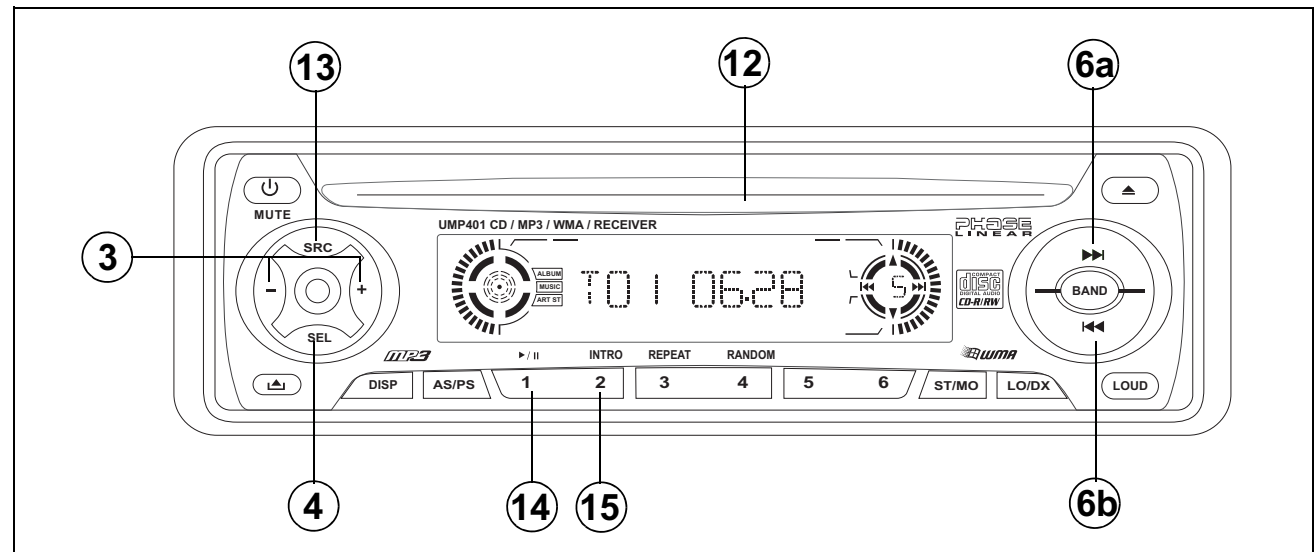
## 6 Funciones de Avance y Retroceso

Mantenga presionado el botón de sintonía/pista (▶▶) (6a) para avanzar rápidamente o el botón de sintonía/pista (◀◀) (6b) para retroceder rápidamente. Durante cualquiera de las dos funciones el tiempo transcurrido de cada pista se mostrará en pantalla.

## 3, 4 Protección Contra Saltos Electrónica

La protección contra saltos electrónica (ESP) se puede activar para asistirle cuando la reproducción se produce durante condiciones de camino duras o desperejas. Para seleccionar ESP tiempo:

1. Mantenga presionado el botón **SEL** (4) por más de 2 segundos para acceder al menú.
2. Continúe presionando el botón **SEL** para seleccionar el modo de ajuste de volumen "ESP".
3. Presione los botones de volumen +/- (3) para seleccionar uno de los siguientes modos: "ESP 12" o "ESP 45".



## INSTRUCCIONES DE OPERACIÓN DEL REPRODUCTOR DE CD

### 14 Selección de Reproducción de Disco/Pausa

Presione el botón de pausa 1/▶/|| (14) para detener la ejecución del disco. Presione nuevamente 1/▶/|| para reasumir la reproducción del disco.

### 15 Escaneo de Introducciones de Pistas

Durante la reproducción de un disco, presione el botón 2/INTRO (15) para reproducir los primeros 10 segundos de cada pista (el icono "INT" se iluminará en la parte superior de la pantalla. Cuando se alcance la pista deseada, presione el botón 2/INTRO nuevamente para cancelar la función y reproducir la pista seleccionada. El modo de Escaneo de Pistas también se puede cancelar activando las funciones de Repetición (16) o de Reproducción Aleatoria (17).

### 16 Selección de Reproducción Repetida de Pista

Durante la reproducción de un disco, presione el botón 3/REPEAT (16) para repetir la pista deseada (el icono "RPT" se iluminará en la parte superior de la pantalla. La reproducción de la pista continuará repitiéndose hasta que 3/REPEAT se presione nuevamente y la

indicación "RPT" desaparezca de pantalla. El modo de Repetición de pistas también se puede cancelar activando las funciones de Introducción (15) o de Reproducción Aleatoria (17).

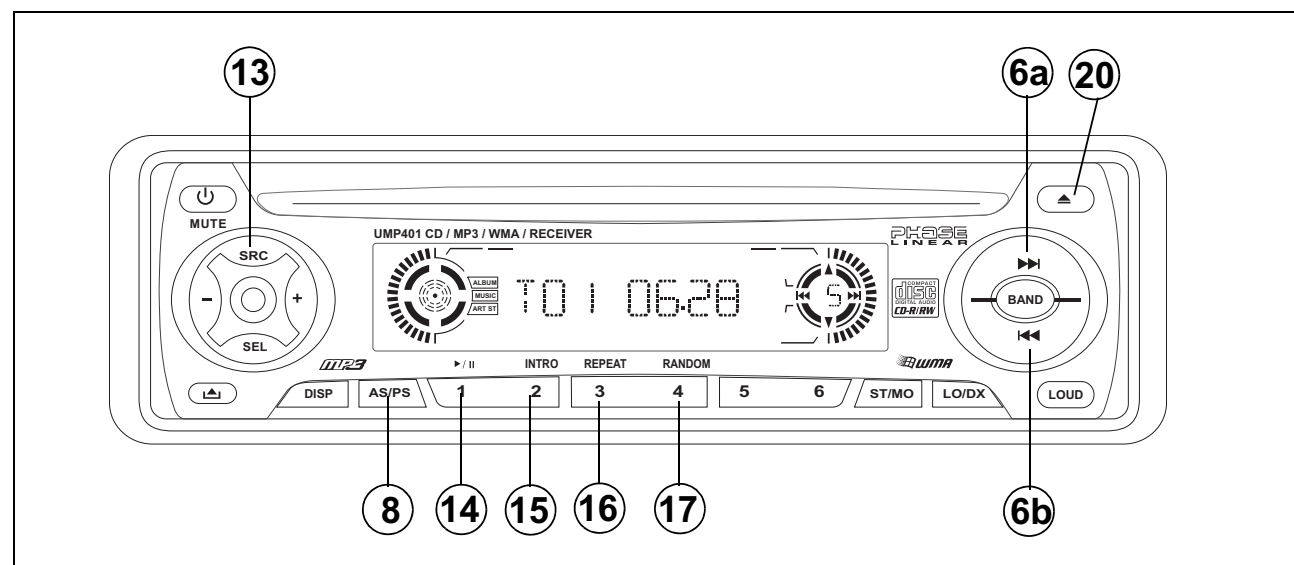
### 17 Selección de Reproducción Aleatoria (RANDOM)

Durante la reproducción de disco, presione el botón 4/RANDOM (17) para reproducir las pistas del disco de forma aleatoria o desordenada (el icono "RDM" se iluminará en la parte superior de la pantalla). En modo de Reproducción Aleatoria, usted puede presionar los botones de sintonía/pista (6a y 6b) para

seleccionar pistas en orden aleatorio en vez de en una progresión normal. Presione nuevamente 4/RANDOM para cancelar el modo de Reproducción Aleatoria. El modo de Reproducción Aleatoria también se puede cancelar activando las funciones de Repetición (16) o de Introducción (15).

### 20 Botón de Expulsión de Disco

Cuando el botón de expulsión de disco ▲ (20) se presiona, detiene la reproducción del disco, expulsa el disco y la unidad cambia a operación de radio. Si el disco no se quita de la unidad dentro de los 15 segundos siguientes, el disco será cargado nuevamente dentro de la unidad.





## OPERACIÓN DEL EQUIPO DE MP3

Las instrucciones para Insertar/Expulsar, Ejecutar/Detener, Selección de Pista, Avance y Retroceso, Exploración, Repetición y Reproducción Aleatoria son las mismas para CD y MP3. Por favor, vea la sección Operación de Equipo de CD para obtener información sobre estos temas.

Luego de insertar un disco MP3 o WMA, el nombre de la carpeta o archivo y la información de ID3 pasará por la pantalla en el orden siguiente:

- Tiempo transcurrido de reproducción y número de pista
- Nombre y número de carpeta
- Nombre y número de archivo
- Título de la canción
- Título del álbum
- Nombre de artista

### Búsqueda de Pista

1. Presione el botón **AS/PS** (8) una vez para habilitar la búsqueda directa de pistas (TRK SCH).
2. Presione el botón **SEL** (4) para seleccionar el último dígito del número de pista ("001" aparecerá en pantalla con el "1" destellando).
3. Presione los botones de volumen +/- (3) para seleccionar el último dígito del número de pista.
4. Presione el botón **SEL** para confirmar la selección y moverse un número a la izquierda

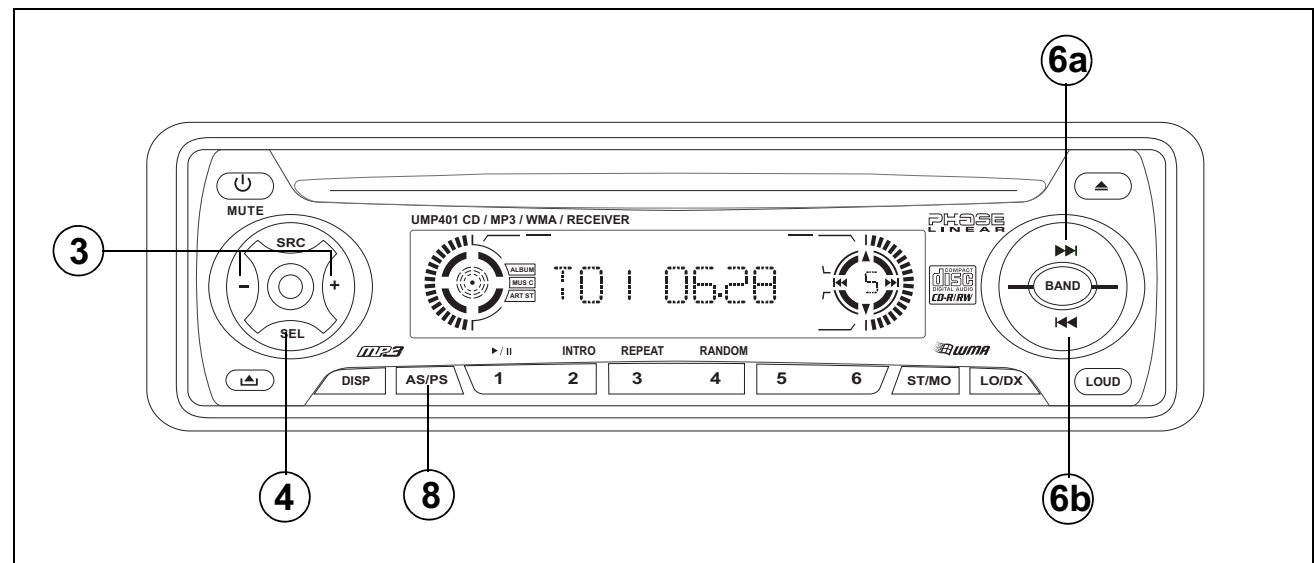
- (posición de la decena). Repita para la tercera posición (de la centena), si es necesario.
5. Mantenga presionado el botón **SEL** para reproducir la canción o archivo seleccionado.

**NOTA: Si el número de pista seleccionado es más alto que el número de archivo máximo, el último archivo se reproducirá.**

### Búsqueda de Archivo

1. Presione el botón **AS/PS** (8) dos veces para seleccionar el modo de búsqueda de archivo (FILE SCH).
2. Presione el botón de **SEL** (4) para confirmar.

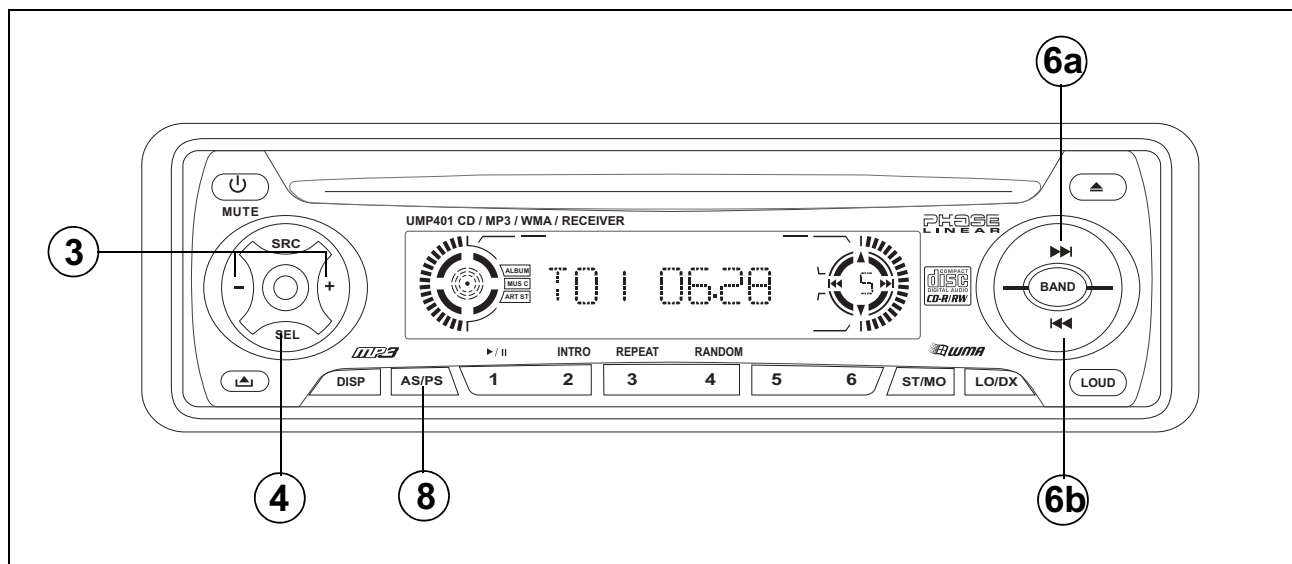
3. Presione los botones de volumen +/- (3) para moverse a la carpeta próxima o a la previa.
4. Elija reproducir la carpeta entera o una canción específica en la carpeta seleccionada:
  - Presione el botón **SEL** para elegir la carpeta, luego presione los botones de volumen +/- (3) para elegir una canción específica en la carpeta seleccionada. Presione SEL para ejecutar la pista seleccionada.
  - Mantenga presionado el botón **SEL** para reproducir todas las pistas en la carpeta seleccionada.



## OPERACIÓN DEL EQUIPO DE MP3

### Búsqueda de Carácter

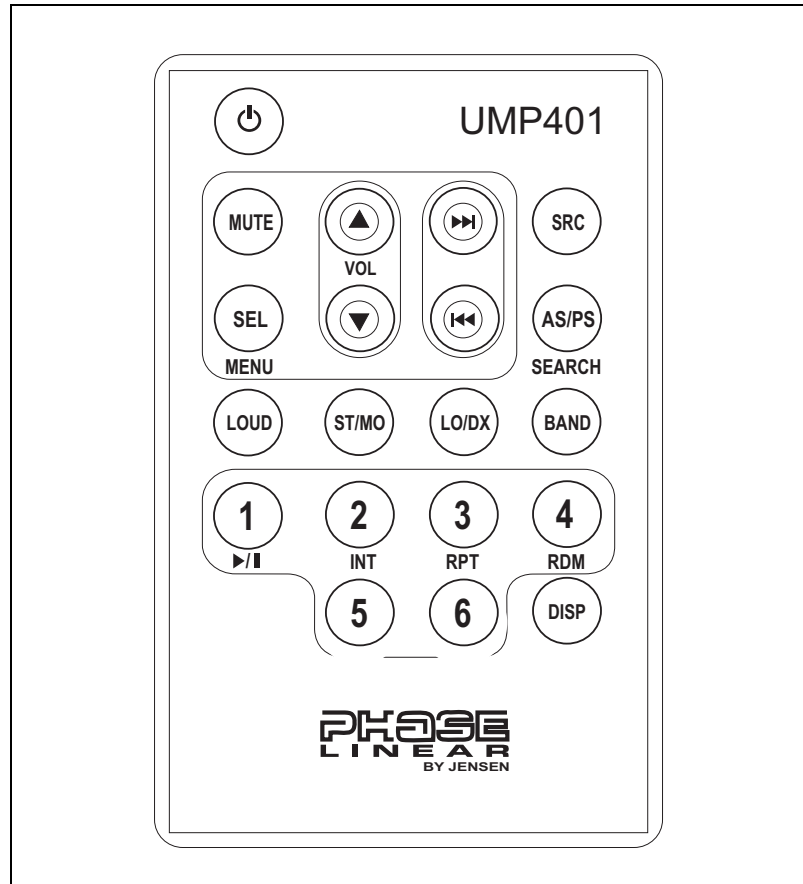
1. Presione el botón **AS/PS** (8) tres veces para habilitar el modo de búsqueda de carácter (CHAR SCH).
2. Presione el botón **SEL** (4) para seleccionar la posición del primer carácter.
3. Presione los botones de volumen +/- (3) para seleccionar el primer carácter de la pista deseada.
4. Presione el botón **SEL** para confirmar y moverse a la posición del próximo carácter.
5. Presione los botones de volumen +/- (3) para seleccionar el segundo carácter de la pista o archivo deseado.
6. Continúe ingresando hasta 8 caracteres.
7. Mantenga presionado el botón **SEL** para reproducir la canción o archivo seleccionado.
8. Presione el botón **SEL** para confirmar.





## CONTROL REMOTO

El control remoto le permitirá controlar las funciones básicas de UMP401. El sensor del control remoto está situado a la izquierda del panel del LCD.



## CUIDADOS Y MANTENIMIENTO

Su nuevo reproductor de radio/CD no requiere mantenimiento. Sin embargo, el entender cómo se lo utiliza y mantiene adecuadamente le ayudará a sacar el máximo provecho de sus capacidades. Recomendamos que conserve este manual para utilizarlo como referencia sobre las funciones de esta unidad así como también la manera en poner en hora el reloj. Se deben respetar los siguientes puntos:

- Cuando limpie el interior del vehículo, no utilice agua o líquidos de limpieza sobre la unidad.
- El reproductor de CD es un instrumento de precisión y no funcionará adecuadamente bajo calor o frío extremos. Si tales condiciones se dan, espere hasta que el interior del vehículo alcance una temperatura normal antes de utilizar el reproductor.
- Si la temperatura dentro del reproductor llega a ser muy caliente, un circuito de protección automáticamente detendrá la ejecución del disco. En este caso, deje que la unidad se enfríe antes de utilizar nuevamente el reproductor.
- Nunca inserte nada que no sea un disco compacto de 5" (12 cm) dentro del reproductor, pues el mecanismo puede ser dañado por objetos extraños.
- No intente utilizar un CD simple de 3" (8 cm.) en esta unidad, con o sin adaptador, pues puede causar daños en el equipo y/o en el disco. Tales daños no serán cubiertos por la garantía de este producto.
- Cuando no utilice el reproductor, quite el disco compacto. Nunca deje un disco expulsado en la ranura de discos, pues quedaría expuesto a luz solar y a otros posibles daños.
- No intente abrir el chasis de la unidad. No hay partes aprovechables por el usuario o puntos para ajustar por adentro.
- Cuando el vehículo se calienta durante clima frío o bajo condiciones de humedad, puede aparecer condensación en los lentes del reproductor de discos. Si esto ocurre, el reproductor no operará apropiadamente hasta que la humedad se haya evaporado.
- La unidad posee un mecanismo de amortiguación de vibraciones para minimizar la interrupción de la ejecución del disco debido a la vibración normal de un vehículo en movimiento. Sin embargo, cuando esté conduciendo en caminos en malas condiciones, es posible que algunos sonidos se escapen. Esto no rayará o dañará el disco y cuando las malas condiciones del camino cesen, volverá a sonar el disco normalmente.

### Manipulando Discos Compactos

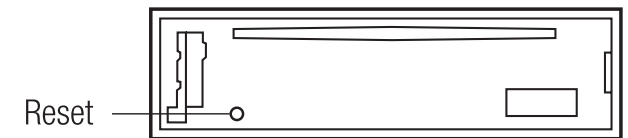
Suciedad, polvo, rayas o combas pueden causar saltos en la reproducción y deterioro de la calidad del sonido. Por favor, siga estos lineamientos para cuidar de sus discos compactos:

- Con cuidado limpie con un paño suave huellas digitales, polvo y suciedad de las

superficies del disco. Realice un movimiento recto desde el centro al exterior del disco.

- Nunca utilice químicos tales como vaporizadores para discos o limpiadores del hogar para limpiar CD, pues pueden dañar la superficie del disco irreparablemente.
- Los discos se deben guardar en sus cajas cuando no están en uso.
- No exponga discos a la luz directa del sol, a altas temperaturas o a condiciones de alta humedad por periodos prolongados.
- No pegue papel, cinta o etiquetas en las superficies de los discos.

### BOTÓN DE REINICIAR (RESET)



**Un botón para reiniciar se encuentra detrás de la cubierta, en el lado izquierdo (el panel delantero se debe quitar para acceder al botón). La función de Reinicio solamente se debe utilizar bajo las siguientes circunstancias: Luego de la instalación inicial, después de que todo el cableado se haya realizado; Si hay un mal funcionamiento de cualquiera de los interruptores de la unidad. El presionar el botón de Reinicio puede limpiar el sistema y regresarlo a un funcionamiento normal.**

## ESPECIFICACIONES

Dependiendo del tipo de medio y método de grabación, algunos CD-R/RW pueden ser incompatibles con esta unidad. Luego de grabar el CD, **se debe cerrar la sesión**. Por favor, siga los procedimientos recomendados por su programa de grabación para cerrar un disco. Revise su programa de grabación para familiarizarse con los procedimientos correctos de grabación de CD. Recomendamos utilizar las últimas versiones de los programas para grabar discos compactos ROXIO™ o NERO™.

Esta unidad solamente reconocerá formatos **CDDA (Audio Digital de Disco Compacto), .mp3 y .WMA grabados en un CD-R/RW**. Esta unidad no lee .WAV, .OGG u otros formatos.

### Especificaciones Técnicas



#### **Energía de Mercadeo**

Pico 160 wats, 40 wats X 4

#### **Energía CEA**

Salida de Energía: Canales 13 wats RMS X4 en 4-ohms @ < 1% THD+N

Señal a Coeficiente de Ruido: 70dBA bajo referencia. (Referencia: 1 wat, 4-ohms)

Frecuencia de Respuesta 20Hz a 20kHz, -3dB

Voltaje de Suministro de Referencia: 14.4VDC

#### **Reproductor de CD**

Señal a Coeficiente de Ruido @ 1kHz >90dB

Frecuencia de Respuesta 20Hz ~ 20kHz, -3dB

Separación de Canal @ 1kHz: > 60dB

Búfer de Protección contra Saltos Electrónica (ESP):

Tamaño: 2MB (16Mbit, no 16MB)

CD: >10 segundos, nominal

MP3: >30 segundos, nominal

WMA: >60 segundos, nominal

#### **Sintonizador FM**

Sensibilidad Mono @ -30dB: 11dBf

Sensibilidad de Acallado @ -50dB: 15dBf

Separación de Estéreo @ 1kHz >30dB

Frecuencia de Respuesta 30Hz ~ 12kHz, -3dB

#### **Sintonizador AM**

Sensibilidad @ -20dB: 15uV

Señal a Coeficiente de Ruido @ 1kHz: >50dB

Frecuencia de Respuesta 30Hz ~ 2kHz, -3dB

#### **General**

Alimentación..... 11 a 16VDC, negativo a tierra

Fusibles: 15 ampere, ATO

Dimensiones: 7" X 7" X 2" (178mm x 178mm x 51mm)

**Especificaciones sujetas a cambios sin notificación.**



# UMP401

**Manual de L'Utilisateur**

For instructions in English, refer to page 2.

Para obtener instrucciones en Español, dirijase a la página 20.

## PRÉPARATION

### Mise en Marche

C'est une bonne idée de lire toutes les instructions avant de commencer l'installation.

#### Table des Matières

Instructions d'Installation .....	39
Câblage .....	41
Installation de la dalle amovible .....	42
Instructions d'operation .....	43
Opération de la platine CD .....	47
Operation de platine MP3.....	49
Prêt à être télécommandé .....	51
Soin et entretien .....	52
Specifications .....	53

### Exigences d'installation

Cet appareil est destiné à être installé dans des voitures, des camions et des camionnettes avec une ouverture radio existante. Dans bien des cas, une trousse d'installation spéciale sera exigée pour monter la radio sur le tableau de bord. Ces trousse sont disponibles dans des magasins de fournitures électroniques et des boutiques qui spécialisent dans des stéréos voitures. Vérifiez toujours l'application de la trousse avant de l'acheter pour assurer que la trousse est compatible avec votre véhicule. Si vous avez besoin d'une trousse et ne pouvez

pas en trouver une, veuillez prendre contact avec notre soutien client à 1-800-645-4994 (Etats-Unis et Canada seulement).

### Outils et matériel

Vous aurez besoin des outils et du matériel suivants pour installer la radio :

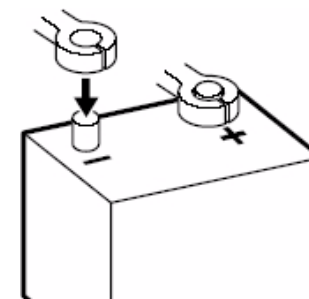
- Type Torx des tournevis plat et Philips
- Des coupeurs de fil et séparateurs d'épuisement
- Outils pour enlever la radio existante (tournevis, un ensemble de clés à douille et d'autres outils)
- Bande électrique
- Outil à sertissage
- Voltmètre/lumière d'épreuve
- Connexions à sertissage
- Fer jauge 18 pour branchage puissance, fer jauge 16 – 18 de haut parleur

### Pour les haut parleurs

Ne connectez que les haut parleurs qui sont évalués pour une impédance de charge de 4 ohms. Des hauts parleurs avec une impédance de charge de moins de 4 ohms peuvent nuire à l'appareil.

### Débrancher la batterie

Il faut toujours débrancher la borne de batterie négative avant de commencer.



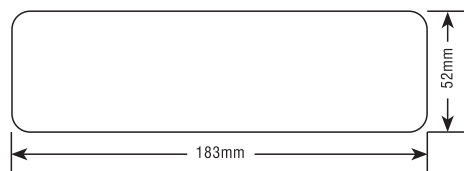
### Aide d'installation gratuite

Si vous avez besoin d'aide, prenez contact avec Soutien Technique à 1-800-323-4815 de 8H30 à 19H EST lundi jusqu'à vendredi, et de 9H à 17H EST le samedi (Etats-Unis et Canada seulement).

# INSTRUCTIONS D'INSTALLATION

## Installation en utilisant un manchon de montage

1. Glissez le manchon de montage du châssis. S'il est verrouillé, utilisez les outils d'enlèvement (fournis) pour le désengager.
2. Vérifiez la taille d'ouverture sur le tableau de bord en glissant dedans le manchon de montage.



Si l'ouverture n'est pas assez grande, coupez ou nivelez à la lime comme il faut jusqu'à ce que le manchon glisse facilement dans l'ouverture. Ne forcez pas le manchon dans l'ouverture ou faire en sorte qu'il se plie ou se tord. Vérifiez qu'il y a suffisamment de place derrière le tableau de bord pour le châssis de la radio.

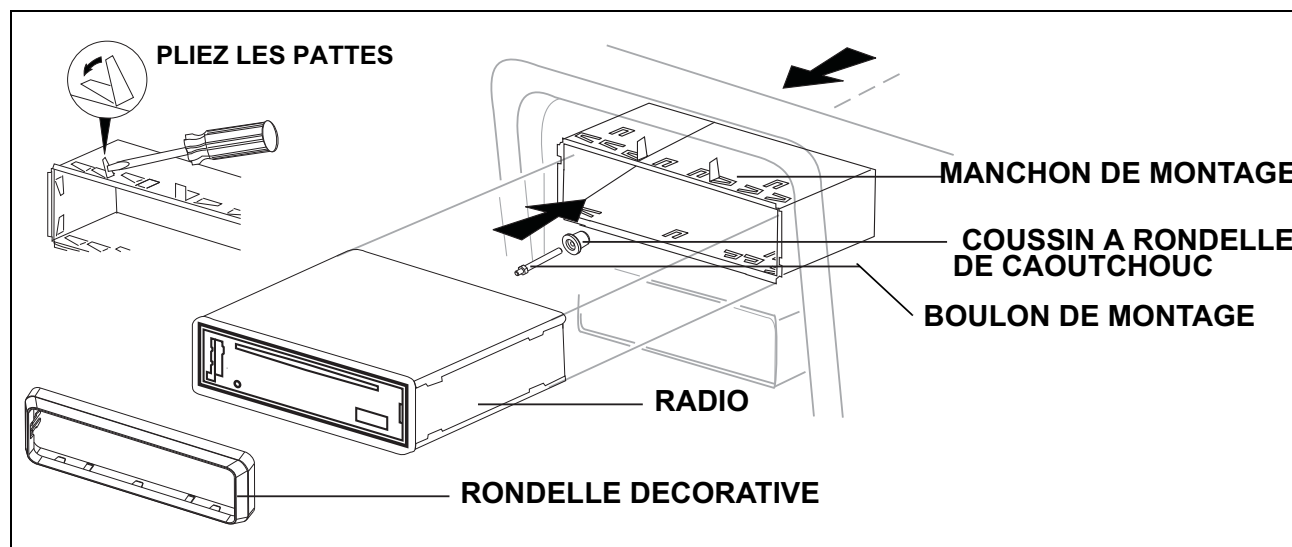
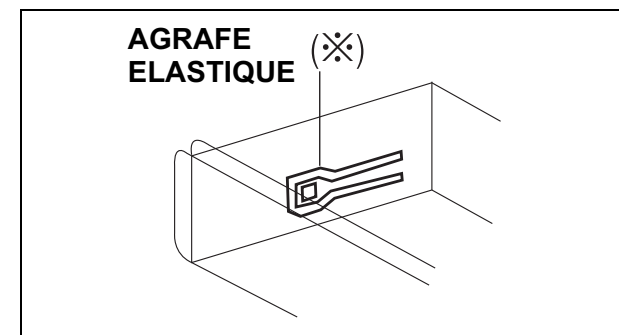
3. Trouvez une série de languettes de courbure sur le dessus, le dessous et les côtés du manchon de montage. Avec le manchon inséré jusqu'au bout dans l'ouverture du tableau de bord, pliez autant de languettes vers le dehors qu'il faut pour attacher le manchon au tableau de bord d'une manière ferme.

**AVERTISSEMENT :** Pour une bonne opération de la platine CD le châssis doit être monté dans un angle de 20° de l'horizontal. Assurez

*vous que l'appareil est monté avec cette limitation.*

4. Placez la radio devant l'ouverture du tableau de bord pour que le câblage puisse être placé à travers le manchon de montage. Suivez le schéma du câblage et assurez-vous que toutes les connexions sont sûres et isolées avec des serres-fils ou de la bande électrique pour assurer le bon fonctionnement de l'appareil. Après avoir terminé avec les connexions du câblage mettez l'appareil en marche pour confirmer l'opération (le véhicule doit être allumé). Si l'appareil ne fonctionne pas, vérifiez de nouveau tout le câblage jusqu'à ce que le problème soit résolu.
5. Assurez vous que la radio est monté dans le sens correct et puis glissez la radio dans le manchon

- de montage jusqu'à ce qu'il soit bien fixé et les attaches à ressort la verrouillent bien en place.
6. Attachez l'arrière de l'appareil au corps du véhicule en utilisant le boulon de montage et le coussin à rondelles de caoutchouc.
  7. Testez l'opération de la radio en vous référant aux instructions d'opération.



## INSTRUCTIONS D'INSTALLATION

### Installation de la trousse

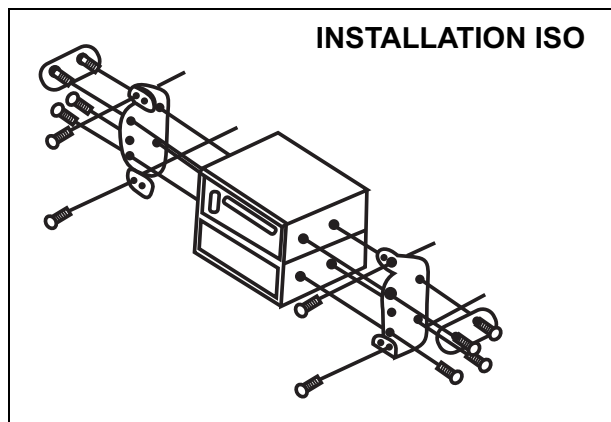
Si votre voiture exige l'usage d'une trousse d'installation pour monter la radio, suivez les instructions qui accompagnent la trousse pour attacher la radio au plateau de montage fourni avec la trousse.

1. Câblez et testez la radio en suivant les instructions pour l'installation universelle.
2. Installez l'ensemble radio /plateau de montage à la sous-planche de bord suivant les instructions contenues dans la trousse d'installation.
3. Attachez la lanière de support à la radio et à la planche de bord suivant les instructions pour l'installation universelle.
4. Remplacez le panneau de la planche de bord.

### Installation ISO

L'appareil a des trous à visser sur les panneaux de côté du châssis qui peuvent être utilisés avec les supports de montage de l'usine de certains véhicules pour monter la radio sur la planche de bord. Consultez votre magasin de stéréos voiture pour être aidé dans ce type d'installation.

1. Enlevez la radio d'usine existante de la planche de bord ou du console central de montage. Préservez tout le matériel et les



1. Enlevez les supports de montage et le matériel de la radio existante et attachez-les à la nouvelle radio.
2. Ouvrez d'un coup sec le cadre plastique du devant du châssis de la nouvelle radio. Enlevez et jetez le cadre.
3. Enlevez les supports de montage et le matériel de la radio existante et attachez-les à la nouvelle radio.

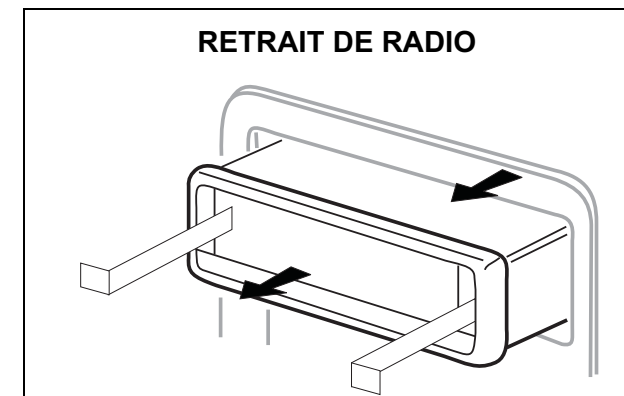
**A NOTER : Ne dépassez pas une taille de clou de 5mm x 9mm. Des clous plus longs peuvent nuire aux composants à l'intérieur du châssis.**

4. Câblez la nouvelle radio au véhicule en suivant les instructions pour l'installation universelle.

5. Montez l'ensemble de la nouvelle radio à la planche de bord ou au console central en renversant la procédure établie par (1).

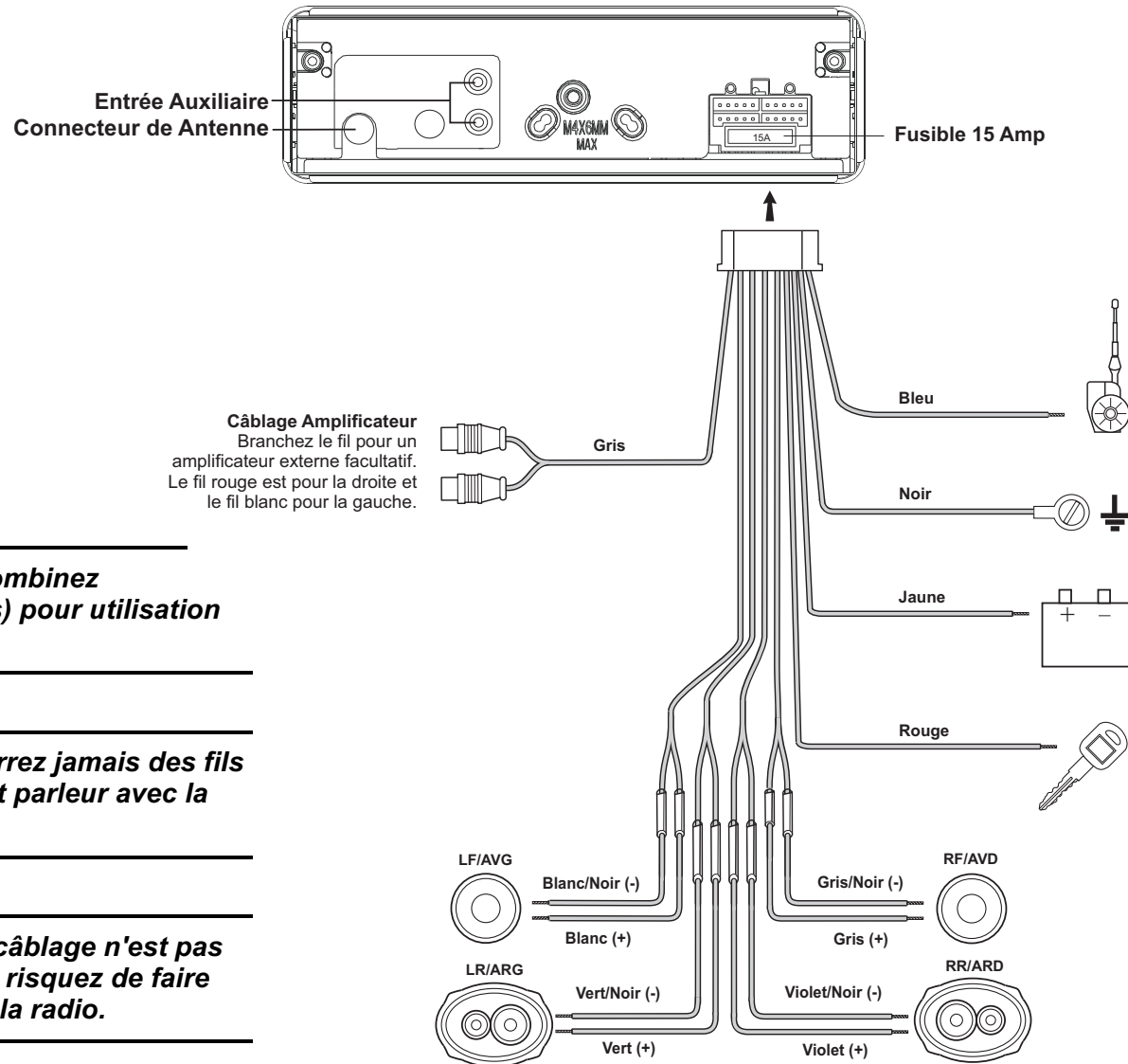
### Retrait de radio

Insérez l'outil ou les outils spéciaux. Tirez l'autoradio. Débranchez le faisceau de câbles et enlevez l'autoradio.





# CÂBLAGE



**Câblage Amplificateur**  
 Branchez le fil pour un amplificateur externe facultatif. Le fil rouge est pour la droite et le fil blanc pour la gauche.

**AVERTISSEMENT ! Ne combinez jamais des sorties (ponts) pour utilisation avec un haut parleur.**

**AVERTISSEMENT ! Ne terrez jamais des fils de sortie négatifs de haut parleur avec la masse.**

**AVERTISSEMENT : Si le câblage n'est pas fait comme montré, vous risquez de faire des dégâts électriques à la radio.**

**Antenne motorisée**  
 Branchez à l'antenne motorisée ou à é l'amplificateur. S'il n'est pas utilis , recouvrez l'extrémité dénudée du fil de ruban adhésif.

**Mise à la terre**  
 Connectez à la borne de mise à la terre.

**Mémoire/Batterie**  
 Connectez à la batterie ou à une source d'alimentation 12 volts toujours sous tension. La radio ne fonctionnera pas si ce fil n'est pas branché.

**Accessoires/Allumage**  
 Connectez au fil de la radio existante ou au fusible du radio.


**Fusibles**  
 Lors du remplacement d'un fusible, assurez vous que le fusible de remplacement est du type et de la puissance appropriés. L'utilisation D'un fusible non approprié pourrait endommager la radio.

## INSTALLATION DE LA DALLE AMOVIBLE

### Installation de la dalle

Pour installer la dalle, glissez le bord droite du panneau d'avant dans la radio et puis doucement appuyez sur le bord gauche jusqu'à ce qu'il se mette en place.

### Détachement de la dalle

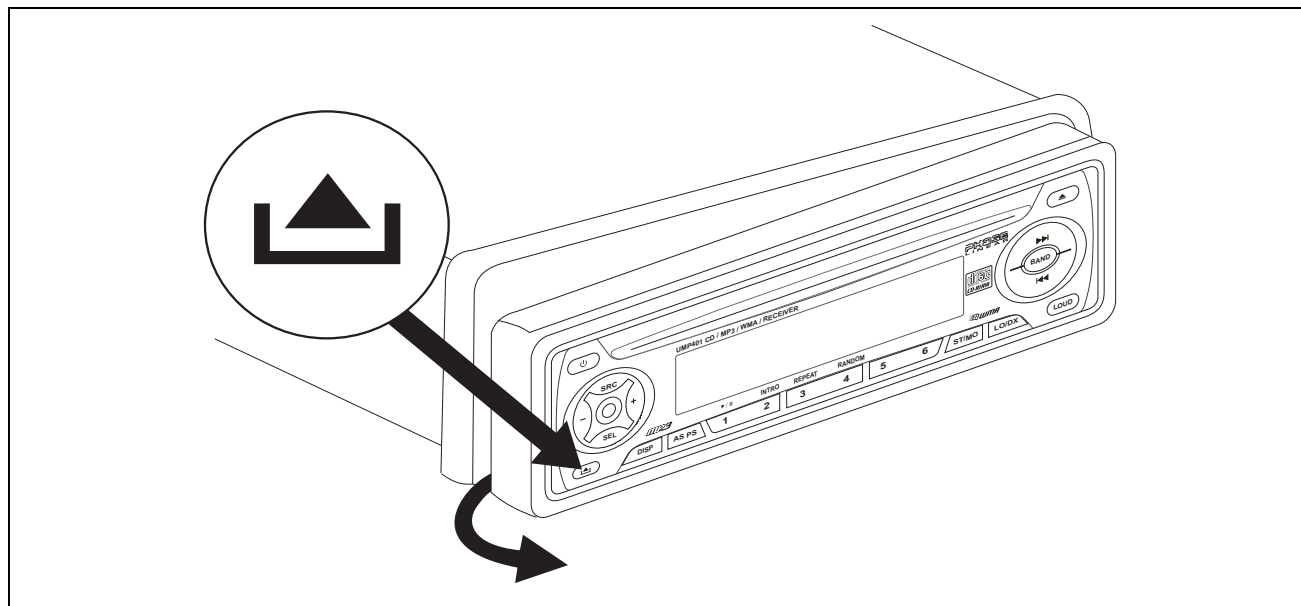
Pour enlever la dalle, appuyez sur le bouton de release  et tirez doucement sur le côté gauche du panneau d'avant.

Pour sauvegarder, stockez toujours le panneau d'avant dans l'étui de protection fourni.

### Précautions de manipulation

Assurez-vous que le panneau d'avant est posé dans le bon sens lorsque vous l'attachez au châssis comme il ne peut pas être attaché sens dessus, sens dessous.

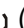

- N'appuyez pas trop fort sur le panneau d'avant lorsque vous l'attachez au châssis. La pression légère ou modérée suffit.
- Lorsque vous attachez le panneau d'avant, assurez-vous qu'il est centré dans le cadre du châssis et qu'il est pressé tout droit dans sa position.
- Ne laissez pas tomber le panneau d'avant.
- Ne mettez pas de pression sur les boutons de contrôle ou d'affichage lorsque vous manipulez le panneau d'avant.



- Ne touchez pas les bornes électriques sur le panneau d'avant ou l'appareil principal.
- Enlevez des saletés et des substances étrangères avec un torchon propre et sec.
- N'exposez pas le panneau d'avant aux températures extrêmes ou des rayons de soleil direct.
- Gardez les agents volatiles tels que du benzène, des diluants ou des insecticides loin du panneau d'avant.
- Ne démontez pas le panneau d'avant.
- Lorsque vous prenez le panneau d'avant avec vous, utilisez l'étui fourni pour protéger le panneau des saletés et des dégâts.
- Assurez-vous qu'il n'y a pas de poussière ou des saletés sur les bornes électriques à l'arrière du panneau comme cela peut causer des problèmes d'opération ou d'autres formes de mauvais fonctionnement.

## INSTRUCTIONS D'OPERATION

### ① Puissance en marche/en arrêt

Appuyez sur le bouton puissance  (1) (ou n'importe quel bouton sauf éjecter ou relâcher) pour mettre l'appareil en marche. Appuyez et maintenez l'appui sur le bouton puissance  pour mettre l'appareil en arrêt.

### ① Audio MUTE

Appuyez sur le bouton power/**MUTE** pour assourdir le volume du système. MUTE ON apparaîtra sur le panneau d'affichage. Appuyez de nouveau sur **MUTE** pour retourner l'appareil au réglage qui était en usage avant que la fonction MUTE n'ait été activée.

### ② Panneau d'affichage aux cristaux liquides

Le panneau d'affichage aux cristaux liquides (LCD) affiche la fréquence, l'heure et les fonctions activées.

**A NOTER : C'est une caractéristique des panneaux d'affichage aux cristaux liquides que s'ils sont sujets à des températures froides pendant longtemps, ils peuvent mettre plus longtemps à s'allumer que dans des conditions normales. En outre, la visibilité des numéros sur le LCD peut légèrement diminuer. La lecture du LCD reviendra à normal lorsque la température à l'intérieur du véhicule devient normale.**

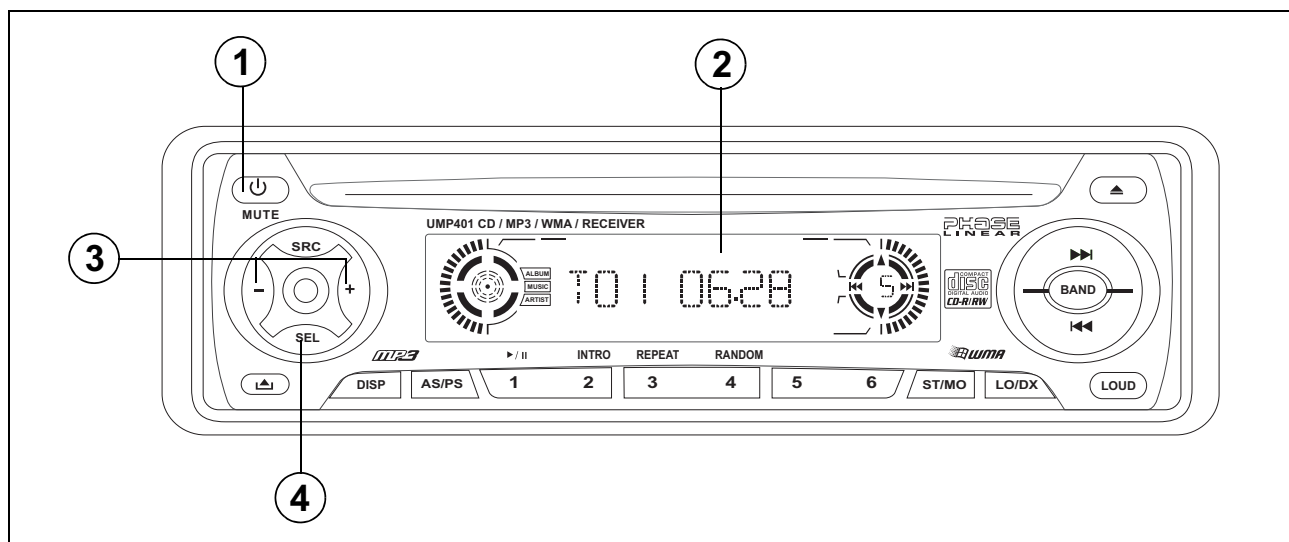
### ③ Contrôle de volume

Pour augmenter le volume, appuyez sur le volume + (3). Pour diminuer le volume, appuyez sur le bouton volume – (3). Le volume va augmenter et diminuer et le niveau sera montré sur le panneau d'affichage d'un minimum de VOL 0 jusqu'à un maximum de VOL 47. L'affichage reviendra à normal 5 secondes après le dernier ajustement ou lorsqu'une autre fonction est activée. Le bouton volume est aussi utilisé en conjonction avec le bouton **SEL** (4) pour ajuster les niveaux de basse, d'aigu, de balance et d'équilibreur.

### ④ Contrôle de basse

Pour ajuster le niveau de basse, sélectionnez d'abord la mode basse en appuyant sur le bouton **SEL** jusqu'à ce que BAS apparaisse sur le panneau d'affichage. Dans 5 secondes, appuyez sur les boutons vol +/- pour ajuster la réponse basse d'un minimum de BAS -7 jusqu'à un maximum de BAS 7. BAS 0 représente une réponse plate.

**A NOTER : Vous ne pouvez pas ajuster les options Basse ou Aigu lorsque l'égaliseur pré-réglé (DSP) est activé.**



## INSTRUCTIONS D'OPERATION

### ④ Contrôle d'aigu

Pour ajuster le niveau d'aigu, appuyez sur le bouton **SEL** jusqu'à ce que TRB apparaisse sur le panneau d'affichage. Dans 5 secondes, appuyez sur les boutons vol +/- pour ajuster la réponse aigu d'un minimum de TRB -7 jusqu'à un maximum de TRB 7. TRB 0 signifie une réponse plate.

### ④ Balance gauche/droite

Pour ajuster l'équilibre entre les haut parleurs de gauche et de droite, appuyez sur le bouton **SEL** (4) jusqu'à ce que BAL apparaisse sur le panneau d'affichage. Dans 5 secondes, appuyez sur les boutons vol +/- pour ajuster l'équilibre entre les haut parleurs de gauche et de droite de BAL 10L (plein gauche) à BAL 10R (plein droite). BAL 0 représente un équilibre parfait entre les haut parleurs de gauche et de droite.

### ④ Equilibreur avant/arrière

Pour ajuster l'équilibre entre les haut parleurs d'avant et d'arrière, appuyez sur le bouton **SEL** (4) jusqu'à ce que FAD apparaisse sur le panneau d'affichage. Dans 5 secondes appuyez sur les boutons vol +/- (3) pour ajuster l'équilibre entre les haut parleurs d'avant et d'arrière de FAD 10F (plein avant) à FAD 10R (plein arrière). FAD 0 représente un équilibre parfait entre les haut parleurs d'avant et d'arrière.

### ④ Sélectionneur d'égaliseur (DSP)

1. Appuyez et maintenez l'appui sur le bouton **SEL** (4) pendant plus de 2 secondes pour accéder au menu. .
2. Continuez à appuyer sur le bouton **SEL** pour sélectionner DSP Mode.
3. Appuyez sur les boutons vol +/- pour sélectionner l'une des modes suivantes : POP, ROCK, CLASSIC, FLAT ou DSP OFF.

**A NOTER : Lorsque la fonction DSP n'est pas activée, l'appareil revient aux niveaux de basse et d'aigu réglés par l'utilisateur.**

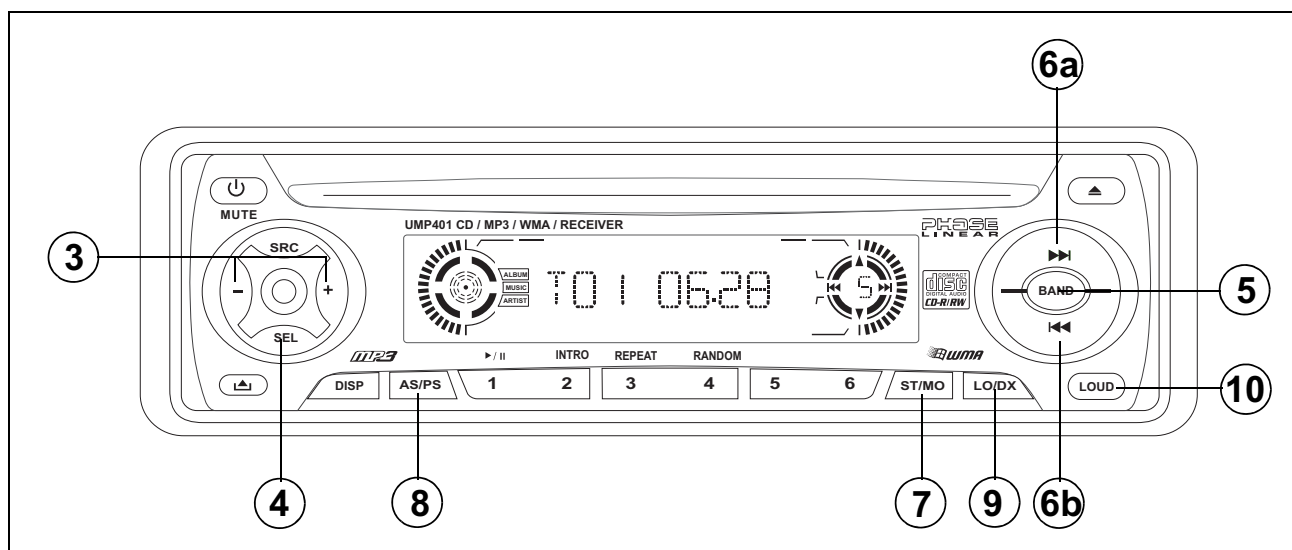
### ④ Bip sonore

Appuyez et maintenez l'appui sur le bouton **SEL** (4) pendant plus de 2 secondes pour accéder au menu. Continuez à appuyer sur le bouton **SEL** pour accéder au menu Tonalité Bip. Appuyez sur les boutons vol +/- (3) pour sélectionner BEEP ON ou BEEP OFF.

### ④ MP3 session multiple (MULT)

MULT ON : Lira la session multiple et les disques mélangés de mode.

MULT OFF : Lira le disque simple de session seulement.



## INSTRUCTIONS D'OPERATION

### 4 Sélectionneur de mode recherche

1. Appuyez et maintenez l'appui sur le bouton **SEL** (4) pendant plus de 2 secondes pour accéder au menu.
2. Continuez à appuyer sur le bouton **SEL** pour sélectionner la mode SEEK.
3. Appuyez sur les boutons vol +/- pour sélectionner SEEK 1 ou SEEK 2.
  - SEEK 1 : La recherche de station s'arrêtera lorsque la prochaine station est reçue.
  - SEEK 2 : La recherche de station s'arrêtera lorsque le bouton TUNE/TRACK (▶▶, ◀◀) (6a ou 6b) est relâché et la prochaine station est reçue.

### 4 Réglage volume d'allumage

1. Appuyez et maintenez l'appui sur le bouton **SEL** (4) pendant plus de 2 secondes pour accéder au menu.
2. Continuez à appuyer sur le bouton **SEL** pour sélectionner la mode VOL ADJ.
3. Appuyez sur les boutons vol +/- (3) pour sélectionner l'une des modes suivantes : VOL LAST ou VOL ADJ.
  - VOL LAST : Lorsque l'appareil est mis en marche, le volume reprendra au niveau sélectionné lorsque l'appareil a été mis en arrêt la dernière fois.

- VOL ADJ : Après avoir sélectionné VOL ADJ, serrez **SEL** pour ajuster le tour au niveau de volume à l'aide des boutons de volume +/- .

### 5 Sélectionneur de bande AM/FM

Pendant l'opération radio, chaque fois que le bouton **BAND** (5) est appuyé, la bande de la radio change. Les indications AM1, AM2, FM1, FM2 ou FM3 apparaissent sur le panneau d'affichage selon votre sélection.

### 6 Contrôle de syntonisation

Appuyez sur le bouton tune/track (▶▶) (6a) pour syntoniser la radio vers le haut à la main, ou le bouton tune/track (◀◀) (6b) pour syntoniser la radio vers le bas à la main. Appuyez et maintenez l'appui sur le bouton tune/track vers le haut/vers le bas (6a ou 6b) pour chercher la prochaine station forte.

### 7 Sélection de FM mono

Pendant l'opération radio FM, le bouton **ST/MO** (7) est utilisé pour sélectionner la réception stéréo ou mono du signal de transmission. Dans des conditions de réception normales, l'appareil doit être laissé en mode stéréo. Si le signal est trop bruyant pour une écoute confortable, appuyez sur le bouton **ST/MO** ; MONO apparaîtra. Appuyez de nouveau sur le bouton pour revenir à la mode de réception stéréo.

### 8 Auto-stockage/balayage pré-réglé (AS/PS)

Appuyez sur le bouton **AS/PS** (8) momentanément pour balayer les 6 stations dans la mémoire pré-réglée pour toutes les bandes FM. L'appareil va s'arrêter à chaque station pré-réglée pendant 10 secondes. Appuyez de nouveau sur le bouton **AS/PS** pour arrêter le balayage et sélectionner la fréquence courante. Appuyez et maintenez l'appui sur le bouton **AS/PS** pendant plus de 2 secondes pour activer la fonction Syntonisation Auto-Stockage. La radio va automatiquement balayer la bande en usage et entrer les six stations les plus fortes dans les positions de mémoire pré-réglée pour cette bande. Auto-Stockage va effacer toute station mise en mémoire.

### 9 Bouton local (LO/DX)

Pendant l'opération radio, les signaux reçus sont normalement en mode stéréo. Cependant, lorsque les signaux sont faibles ou sporadiques, vous pouvez activer la mode Locale en appuyant sur le bouton **LO/DX** (9) (LOCAL apparaît sur l'affichage). Cette mode favorise l'accès aux stations locales dont les signaux sont plus forts, ainsi améliorant la réception radio. Appuyez de nouveau sur le bouton LO/DX pour terminer la mode de réception locale (« - DX- » apparaît sur l'affichage).

## INSTRUCTIONS D'OPERATION

### 10 Contrôle d'intensité (LOUD)

Lorsque vous écoutez à la musique à des niveaux de volume bas, cette fonction va augmenter les gammes de basse et d'aigu pour compenser les caractéristiques de l'ouïe humaine. Appuyez sur le bouton **LOUD** (10) pour activer cette fonction comme indiqué par la tonalité bip et LOUD ON qui apparaît sur le panneau d'affichage. (LOUD reste sur l'affichage). Appuyez sur LOUD de nouveau pour désactiver la fonction LOUD. LOUD va disparaître.

### 11 Sélectionneur d'affichage

L'appareil peut afficher soit l'heure de l'horloge ou la fréquence radio/les fonctions platine CD. Appuyez sur le bouton **DISP** (11) pour afficher l'heure pendant à peu près 5 secondes. L'heure peut être réglé en appuyant et maintenant l'appui sur le bouton **DISP**.

#### Régler l'horloge

Pour régler l'horloge, exécuter les étapes suivantes :

1. Appuyez sur le bouton **DISP** pour afficher l'horloge
2. Appuyez et maintenez l'appui sur **DISP** (11) jusqu'à ce que l'affichage heure clignote

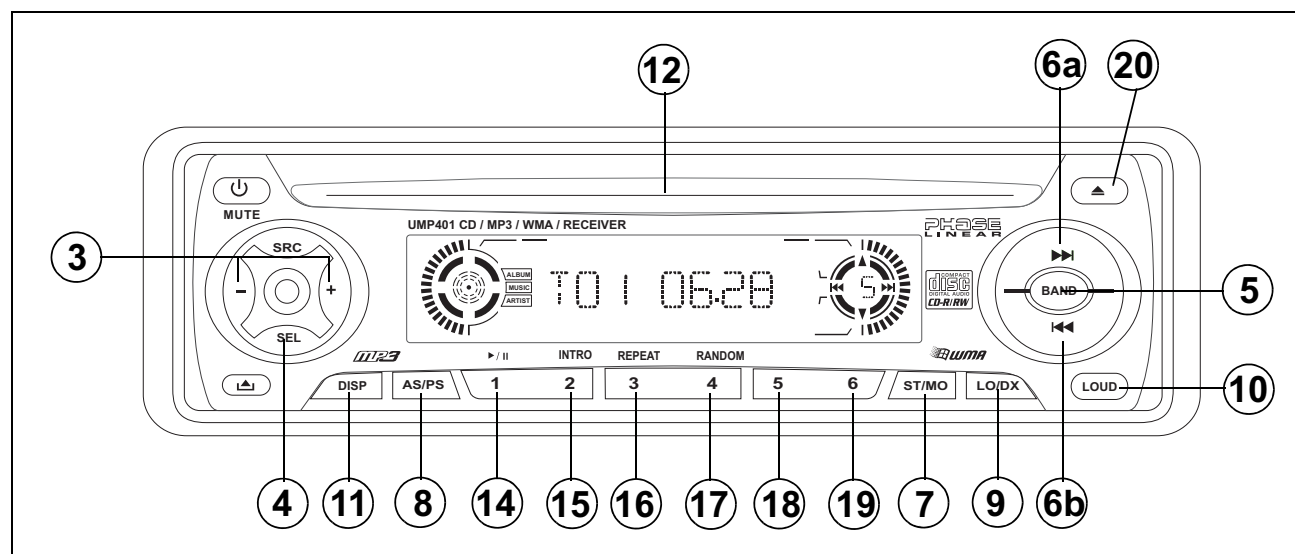
3. Dans 5 secondes, appuyez sur le bouton vol – pour ajuster les minutes au réglage désiré.
4. Appuyez sur le bouton vol + pour ajuster l'heure et l'indication AM/PM à l'heure désirée.
5. Appuyez de nouveau sur **DISP** pour revenir à la fréquence radio.

### 14–19 Mémoire pré-réglée de station

Pour régler n'importe lequel des 6 boutons mémoire pré-réglés, utilisez la procédure suivante :

1. Mettez l'appareil en marche et sélectionnez la bande désirée.

2. Sélectionnez la première station à être pré-réglée en utilisant les boutons tune/track (6a et 6b).
3. Appuyez et maintenez l'appui sur un bouton pré-réglé jusqu'à ce que vous entendiez une tonalité de confirmation. Le numéro pré-réglé apparaît sur le panneau d'affichage. La station est maintenant mise en mémoire et peut être rappelée en appuyant sur le bouton pré-réglé correct.
4. Répéter la procédure ci-dessus pour les 5 pré-réglés qui restent pour la bande courante. Six stations peuvent être mises en mémoire pour chaque bande.





## OPERATION D'INSTRUCTIONS PLATINE CD

### 12 Fente du disque

Avec la surface étiquette en haut, insérez doucement le disque jusqu'à ce que le mécanisme à chargement doux s'engage et la reproduction du disque commence. S-CDP apparaîtra sur le panneau d'affichage. Chargé, le numéro de la piste et le temps écoulé apparaîtront.

**A NOTER : Cet appareil est conçu pour jouer uniquement des disques standardisés 5" (12cm). N'essayez pas d'utiliser des disques de format 3" (8cm) dans cet appareil, avec ou sans adaptateur, comme cela peut endommager la platine ou le disque. Un tel endommagement ne sera pas couvert par le garanti sur ce produit.**

### 13 Sélectionneur de mode (SRC)

Appuyez sur le bouton **SRC** (13) pour changer entre la platine CD, la radio et l'opération Aux in. La mode courante est indiquée sur le panneau d'affichage. Pendant l'opération platine CD, ce bouton peut être utilisé pour changer à la radio sans éjecter le disque.

### 6 Sélectionneur de piste

La fonction Sélection de piste est utilisée pour accéder rapidement au début de chaque piste. Chaque fois que le bouton tune/track (▶▶) (6a) est appuyé, le prochain numéro de piste supérieur est

sélectionné, comme montré sur le panneau d'affichage. Chaque fois que le bouton tune/track (◀◀) (6b) est appuyé, le prochain numéro de piste inférieur est sélectionné, comme montré sur le panneau d'affichage.

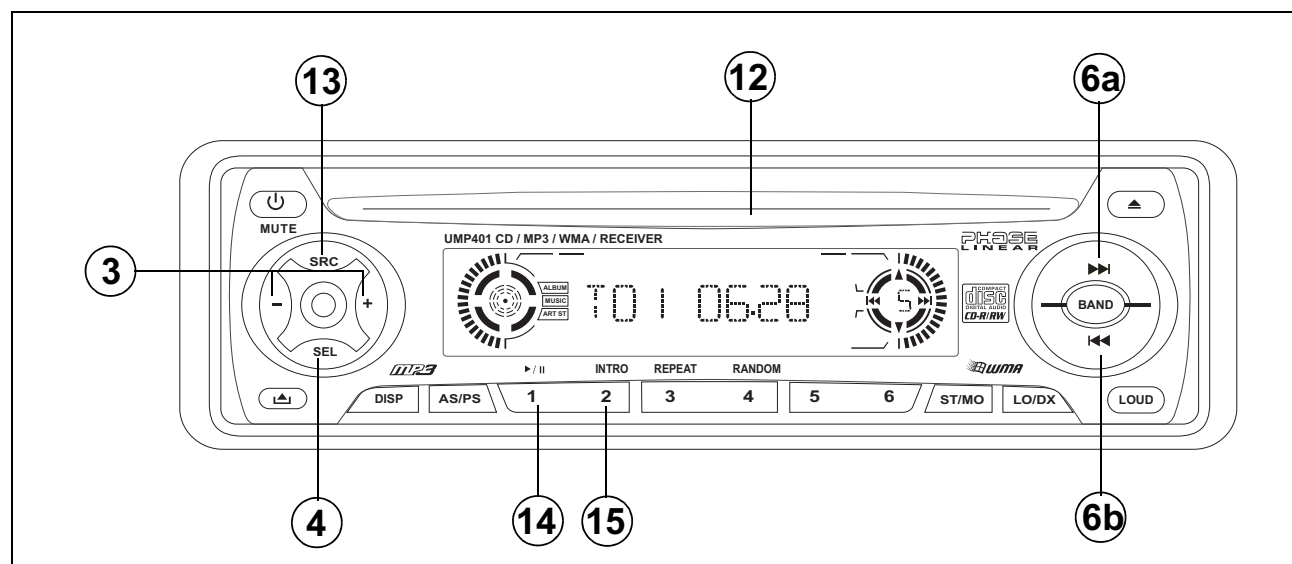
### 6 Fonctions signal d'entrée/ revue

Appuyez et maintenez l'appui sur le bouton tune/track (▶▶) (6a) pour avancer rapidement, ou sur le bouton tune/track (◀◀) (6b) pour reculer rapidement. Pendant les deux fonctions, le temps écoulé de chaque piste sera montré sur le panneau d'affichage.

### 3, 4 Skip protection électronique

Skip protection électronique (ESP) peut être activé pour aider à la reproduction lorsque des conditions de route rugueuses sont rencontrées. Pour choisir le temps ESP:

1. Appuyez et maintenez l'appui sur le bouton **SEL** (4) pendant plus de 2 secondes pour accéder au menu.
2. Continuez à appuyer sur le bouton **SEL** pour sélectionner la mode ESP.
3. Appuyez sur les boutons vol +/- (3) pour sélectionner l'une des modes suivantes : ESP 12 ou ESP 45.



## OPERATION D'INSTRUCTIONS PLATINE CD

### 14 Sélection reproduction du disque/pause

Appuyez sur le bouton 1/▶/|| 14) pour geler la reproduction du disque. Appuyez de nouveau sur 1/▶/|| pour reprendre la reproduction.

### 15 Balayage piste INTRO

Pendant la reproduction du disque, appuyez sur le bouton 2/INTRO (15) pour jouer les 10 premières secondes de chaque piste (INT sera illuminé en haut de l'affichage). Lorsque vous arrivez à une piste désirée, appuyez sur 2/INTRO pour annuler la fonction et jouer la piste sélectionnée. La fonction Balayage de Piste peut aussi être annulé en activant les fonctions Répétition (16) ou Hasard (17).

### 16 Sélection répétition de piste

Pendant la reproduction du disque, appuyez sur le bouton 3/REPEAT pour répéter la reproduction de la piste sélectionnée (l'icône RPT sera illuminée en haut de l'affichage). La reproduction de la piste va continuer à se répéter jusqu'à ce que le bouton 3/REPEAT soit appuyé de nouveau et l'indication RPT disparaisse du panneau d'affichage. La fonction REPEAT peut aussi être annulée en activant les fonctions INTRO (15) ou Hasard (17).

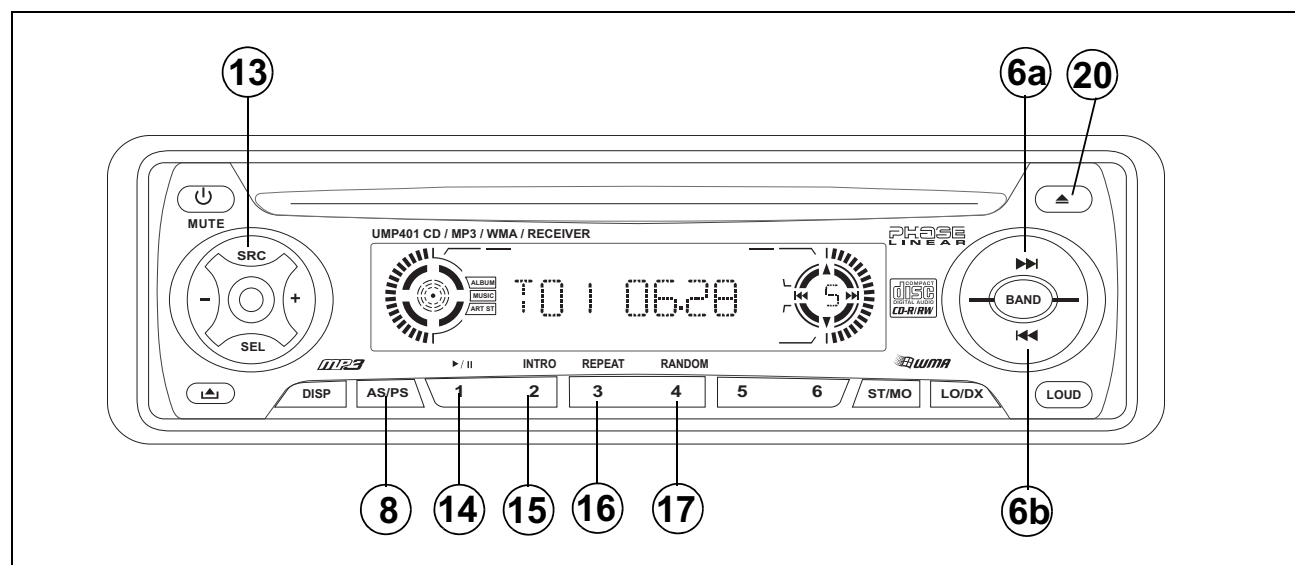
### 17 Sélection reproduction au hasard

Pendant la reproduction du disque, appuyez sur le bouton 4/RANDOM pour jouer les pistes sur un disque dans un ordre mélangé au hasard (l'icône RDM sera illuminée en haut de l'affichage). En mode Reproduction au Hasard, vous pouvez utiliser les boutons tune/track (6a et 6b) pour sélectionner les pistes au hasard au lieu de la progression normale. Appuyez de nouveau sur le bouton 4/RANDOM pour annuler la mode Reproduction au Hasard. La mode Reproduction au Hasard peut aussi être

annulé en activant les fonctions INTRO (15) ou Répétition (16).

### 20 Bouton d'éjection du disque

Lorsque le bouton d'éjection ▲ du disque (20) est appuyé, la reproduction du disque s'arrête, le disque est éjecté et l'appareil change à l'opération radio. Si le disque n'est pas enlevé de l'appareil dans 15 secondes, le disque sera rechargé.





## OPERATION PLATINE MP3

Les instructions pour Insérer/Ejecter, Reproduction/Pause, Sélection de Piste, Signal d'entrée/revue, Balayage, Répétition et Hasard sont les mêmes pour l'opération CD et MP3. Voir la section opération platine CD pour avoir des informations sur ces sujets.

Après l'insertion d'un disque MP3/WMA, le nom du fichier/dossier et l'information ID3 va se dérouler à travers l'écran dans l'ordre suivant :

- Temps écoulé et le numéro de piste
- Nom et numéro du dossier
- Nom et numéro du fichier
- Titre de chanson
- Titre de l'album
- Nom de l'artiste

### Recherche de piste

1. Appuyez sur le bouton **AS/PS** (8) pour activer la recherche directe de piste (TRK SCH).
2. Appuyez sur le bouton **SEL** (4) pour sélectionner le dernier chiffre du numéro de piste (001 apparaîtra sur l'affichage avec 1 clignotant).
3. Appuyez sur les boutons vol +/- (3) pour vous déplacer jusqu'au dossier prochain ou précédent.

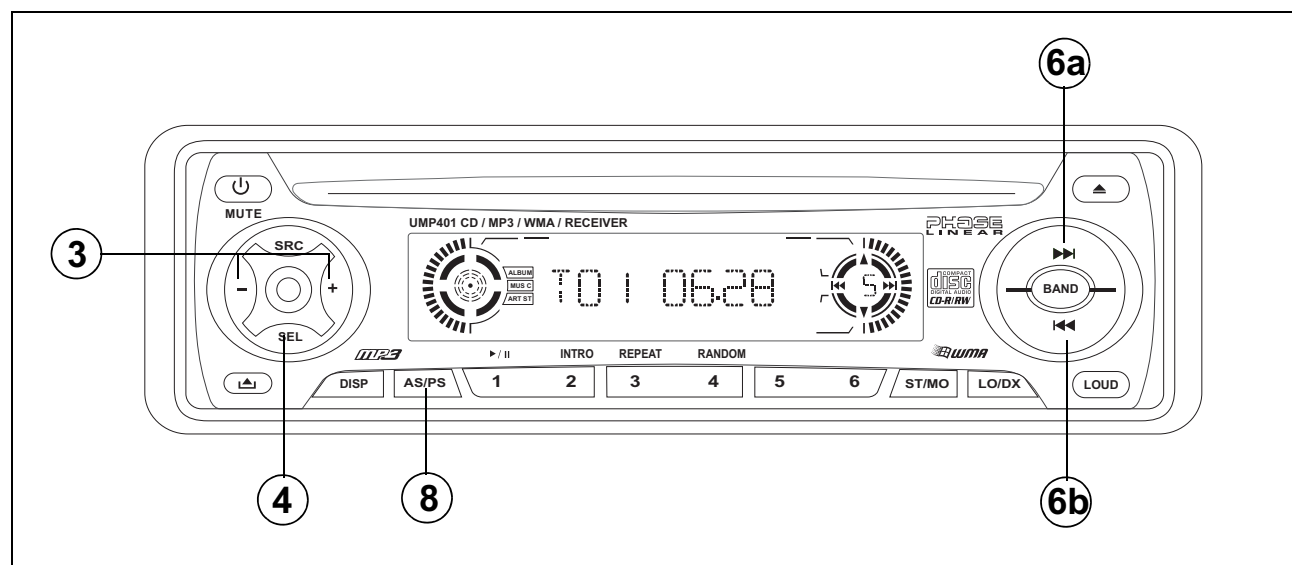
4. Choisissez de jouer soit le dossier tout entier soit une chanson spécifique dans le dossier sélectionné :

**NOTE : Si le nombre choisi de piste est plus haut que le nombre maximum de dossier, le dernier dossier sera joué.**

### Recherche de fichier

1. Appuyez deux fois sur le bouton **AS/PS** (8) pour activer la recherche directe de fichier (FILE SCH).
2. Appuyez sur le bouton **SEL** (4) pour confirmer.

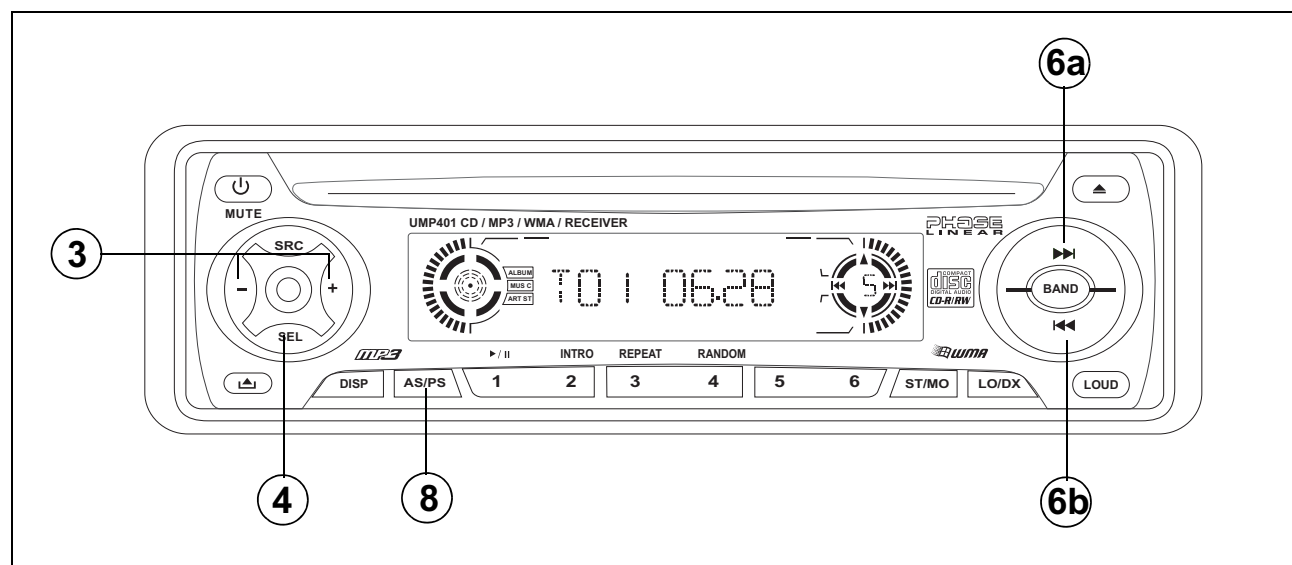
3. Appuyez sur les boutons vol +/- (3) pour vous déplacer jusqu'au dossier prochain ou précédent.
4. Choisissez de jouer la dossier entière ou une piste spécifique dans la dossier choisie :
  - Appuyez sur le bouton de **SEL** pour choisir la dossier, et puis appuyez sur le volume +/- les boutons (3) pour choisir une chanson spécifique dans la chemise choisie. Appuyez sur le bouton de **SEL** pour jouer la piste choisie. folder.
  - Appuyez sur et tenez le bouton de **SEL** pour jouer toutes les pistes dans la dossier choisie.



## OPERATION PLATINE MP3

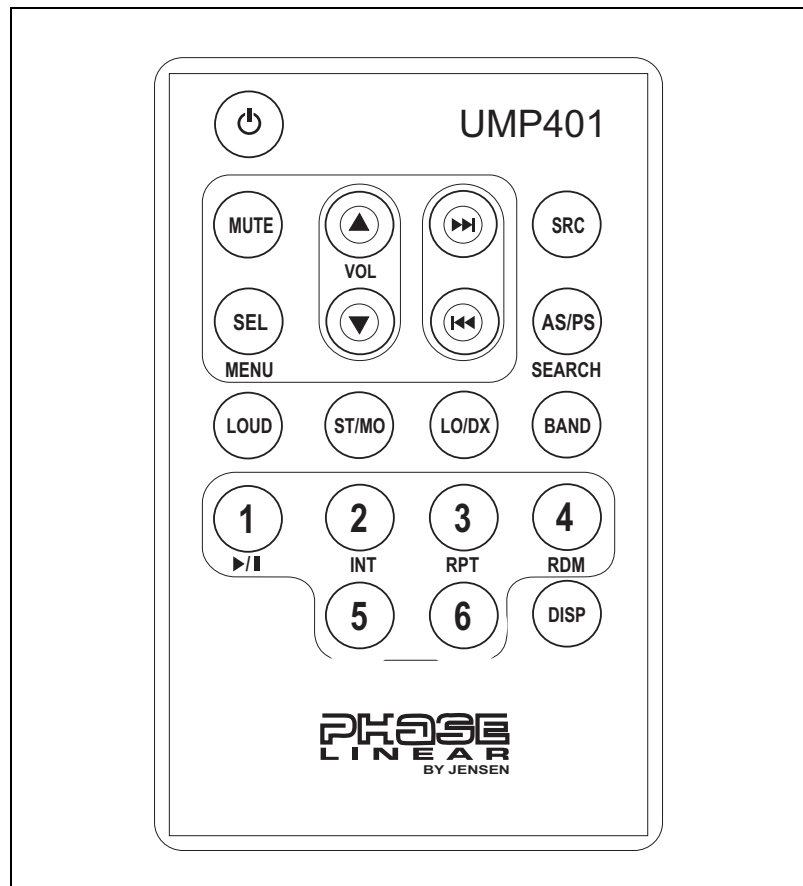
### Recherche de caractère

1. Appuyez trois fois sur le bouton **AS/PS** (8) pour activer la mode recherche de caractère (CHAR SCH).
2. Appuyez sur le bouton **SEL** (4) pour sélectionner la première position du caractère.
3. Appuyez sur les boutons vol +/- (3) pour sélectionner le premier caractère de la piste désirée.
4. Appuyez sur le bouton **SEL** (4) pour confirmer et vous déplacer jusqu'à la prochaine position de caractère.
5. Appuyez sur les boutons vol +/- (3) pour sélectionner le deuxième caractère de la chanson/fichier désirée.
6. Continuez à entrer jusqu'à 8 caractères.
7. Appuyez et maintenez l'appui sur le bouton **SEL** pour jouer la chanson/fichier désirée.
8. Appuyez sur le bouton **SEL** (4) pour confirmer.



## PRÊT À ÊTRE TÉLÉCOMMANDÉ

La télécommande vous permet de contrôler les fonctions de base du UMP401. La sonde de télécommande est située à la gauche du panneau d'affichage à cristaux liquides.



## SOIN ET ENTRETIEN

Votre nouvelle platine CD/radio n'a pas besoin d'être entretenu. Cependant, une compréhension correcte de son utilisation et manipulation vous aidera à obtenir une jouissance maximum de ses capacités. Nous recommandons que vous gardez ce guide comme référence pour les fonctions multiples de cet appareil, aussi bien que pour régler l'horloge. Gardez les points suivants à l'esprit :

- Lorsque vous nettoyez le véhicule, ne versez pas d'eau ou de détergents liquides sur l'appareil.
- La platine CD est un instrument de précision et ne fonctionnera pas dans des froids ou des chaleurs extrêmes. Si de telles conditions prévalent, attendez que la température à l'intérieur du véhicule redevienne normale avant de jouer.
- Si la température à l'intérieur de la platine devient trop chaud, un circuit de protection va automatiquement arrêter le jeu. Dans ce cas, permettez à l'appareil de se refroidir avant de l'utiliser.
- N'insérez jamais rien d'autre qu'un disque compact de 5" (12cm) dans la platine comme ce mécanisme peut souffrir des dégâts à cause des objets étrangers.
- N'essayez jamais d'utiliser des disques compacts de 3" (8cm) dans cet appareil, avec ou sans adaptateur, comme cela peut nuire à la platine ou au disque. De tels dégâts ne seront pas couverts par le garanti sur ce produit.
- Enlevez toujours le disque compact, si vous n'utilisez pas la platine. Ne laissez jamais un

disque compact dans la fente à disque comme cela peut l'exposer aux rayons du soleil et autres facteurs qui peuvent nuire.

- N'essayez pas d'ouvrir le châssis de l'appareil. Il n'y a pas de pièces qui sont susceptibles à être dépanné par l'utilisateur ou des points d'ajustement à l'intérieur.
- Lorsque le véhicule se réchauffe pendant la saison froide ou dans des conditions humides, de la condensation peut apparaître sur les lentilles de la platine. Si cela arrive, la platine ne fonctionnera pas jusqu'à ce que l'humidité ait évaporé.
- L'appareil est conçu avec un mécanisme d'amenuisement de vibrations pour minimiser l'interruption du jeu du disque à cause de la vibration normale d'un véhicule en mouvement. Lorsque vous conduisez sur les surfaces rugueuse, des sauts de son peuvent arriver. Cela ne nuira pas au disque et le jeu normal reprendra lorsque les conditions rugueuses disparaissent.

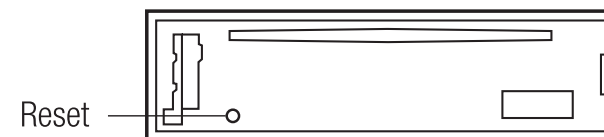
### Manipulation des disques compacts

De la poussière, des saletés, des égratignures et des torsions, peuvent produire des sauts dans la reproduction et une détérioration dans la qualité du son. Suivez ces conseils pour entretenir vos disques compacts :

- Essayez des empreintes digitales, de la poussière et des saletés déposées sur la surface du disque avec un torchon doux. Essayez dans un mouvement droit à partir du centre du disque jusqu'au bord.

- N'utilisez jamais des produits chimiques tels que des vaporisateurs pour disque ou des détergents domestiques pour nettoyer vos disques compacts. Ces produits peuvent irrémédiablement nuire à vos disques.
- Gardez les disques dans leur boîte de stockage lorsque vous ne les écoutez pas.
- N'exposez pas les disques aux rayons de soleil directs, à des températures très chaudes ou à l'humidité pendant de longues périodes.
- Ne collez pas de papier, de la bande adhésive ou des étiquettes sur la surface du disque.

### BOUTON DE REMISE À L'ÉTAT INITIAL



*Un bouton de remise à l'état initial est situé derrière la dalle à gauche (il faut enlever le panneau d'avant pour accéder à ce bouton). La fonction remise à l'état initial est fournie pour protéger la circuiterie du microprocesseur, et ne doit être activé que dans des circonstances suivantes, comme il effacera l'heure et les mise en mémoire pré-réglées : Après l'installation dès que tout le câblage est terminé; S'il y a un mauvais fonctionnement de l'un des interrupteurs de l'appareil, vous pouvez appuyer sur le bouton de remise à l'état initial pour nettoyer le système et revenir à l'opération normale.*

## SPECIFICATIONS

### Capacité CD-R et CD-RW

Dépendant du type de média et des méthodes d'enregistrement quelques CD-R/RW peuvent être incompatible avec cet appareil. **La séance doit être close après l'enregistrement.**

Référez-vous aux procédures recommandées de votre logiciel pour clore un disque/séance. Revoyez votre logiciel d'enregistrement afin de vous familiariser avec les procédures d'enregistrement correctes. Nous recommandons les dernières versions de logiciel d'enregistrement ROXIO™ et NERO™.

Cet appareil ne reconnaîtra que des formats **CDDA (Compact Disc Digital Audio), MP3 et .WMA enregistré ou inscrit de mémoire morte sur un CDR/RW.** Cet appareil ne soutient pas .WAV, .OGG ou d'autres formats.

### Spécifications techniques



#### **Puissance marketing**

160 watts Peak, 40 watts x 4

#### **Puissance CEA**

Sortie Puissance: 13 watts RMS x 4 chaînes x 4 ohms @ < 1% THD+N

Rapport Signal au Bruit : 70 dBA sous référence (Référence : 1 watt, 4ohms)

Réponse fréquence : 20Hz à 20kHz, -3dB

Alimentation référence voltage : 14.4 VDC

#### **Platine CD**

Rapport Signal au Bruit @ 1 kHz : >90dBA

Réponse fréquence : 20Hz à 20 kHz, -3dB

Séparation des chaînes @ 1kHz : >60dB

Tampon ESP (Electronic Skip Protection)

Taille : 2MB (16 Mbit et non pas 16MB)

CD : > 10 secondes, nominal

MP3 : > 30 secondes, nominal

WMA : > 60 secondes, nominal

#### **Tuner FM**

Sensibilité mono @ -30dB : 11 dBf

Sensibilité d'assourdissement @ -50dB : 15dBf

Séparation stéréo @ 1kHz : >30dB

Réponse fréquence : 30Hz à 12kHz, -3dB

#### **Tuner AM**

Sensibilité @ -20dB : 15uV

Signal au Bruit @ 1kHz : >50dB

Réponse fréquence : 30Hz à 2kHz, -3dB

#### **Général**

Alimentation : 11 à 16 VDC, terre négative

Fusibles : 15 amp, ATO

Dimensions : 7" x 7" x 2" (178mm x 178mm x 51mm)

**Les spécifications sont susceptibles à changer sans avis préalable.**



# 90 Day Limited Warranty

## CD Radios/Headunits

### **Who is covered?**

AUDIOVOX ELECTRONICS CORPORATION (the Company) extends this warranty to the original retail purchaser of products purchased through an authorized Audiovox retailer in the U.S.A. or Canada. This warranty is not transferable or assignable.

### **What is covered?**

The Company warrants that should this product or any part thereof, under normal use and conditions, be proven defective in material or workmanship within 90 days from the date of original purchase, such defect(s) will be repaired or replaced with a new or reconditioned product (at the Company's option) without charge for parts and repair labor.

### **What is not covered?**

This Warranty does not cover the following:

- Elimination of car static or motor noise
- Correction of antenna problems
- Costs incurred for installation, removal, or reinstallation of the product
- Consequential damage to compact discs, USB devices, digital media cards, and other accessories or property
- Damage to vehicle electrical systems. Alteration, improper installation, mishandling, misuse, neglect, accident, blown fuse, battery leakage, theft or improper storage. Exposure to moisture, humidity, excessive temperature or extreme environmental conditions. External natural forces, including without limitation, fire, flood, earthquake, sand or storm
- Products subjected to removal or defacement of the factory serial number/bar code label(s) or markings
- Service performed by an unauthorized person, company or association.
- Any product which has been adjusted altered or modified without Audiovox's consent.
- Any product not distributed by Audiovox within the United States or Canada.
- Defects in cosmetic, decorative or non-operative structural parts such as framing
- Damage incurred during shipping (claims must be addressed to the carrier)
- Incidental damages related to transporting the product to a service center, including loss of personal time, transportation costs, and loss of use of product

**Please review the "Care and Maintenance" section of your Installation and Operation Manual for additional information regarding the proper use of your product.**

### **Limitations**

THE EXTENT OF THE COMPANY'S LIABILITY UNDER THIS WARRANTY IS LIMITED TO THE REPAIR OR REPLACEMENT PROVIDED ABOVE AND, IN NO EVENT, SHALL THE COMPANY'S LIABILITY EXCEED THE PURCHASE PRICE PAID BY PURCHASER FOR THE PRODUCT.

This Warranty is in lieu of all other express warranties or liabilities. ANY IMPLIED WARRANTIES, INCLUDING ANY IMPLIED WARRANTY OF MERCHANTABILITY, SHALL BE LIMITED TO THE DURATION OF THIS WRITTEN WARRANTY. ANY ACTION FOR BREACH OF ANY WARRANTY HEREUNDER INCLUDING ANY IMPLIED WARRANTY OF MERCHANTABILITY MUST BE BROUGHT WITHIN A PERIOD OF 6 MONTHS FROM DATE OF ORIGINAL PURCHASE. IN NO CASE SHALL THE COMPANY BE LIABLE FOR ANY CONSEQUENTIAL OR INCIDENTAL DAMAGES FOR BREACH OF THIS OR ANY OTHER WARRANTY, EXPRESS OR IMPLIED, WHATSOEVER. No person or representative is authorized to assume for the Company any liability other than expressed herein in connection with the sale of this product.

Some states do not allow limitations on how long an implied warranty lasts or the exclusion or limitation of incidental or consequential damage so the above limitations or exclusions may not apply to you. This Warranty gives you specific legal rights and you may also have other rights which vary from state to state.

### **Obtaining Warranty Service**

To obtain repair or replacement within the terms of this Warranty, call 1-800-323-4815 for the location of a warranty station serving your area.

# Garantía Limitada por 90 días

## Unidades/Radios de CD

### Quien está cubierto

AUDIOVOX CORPORATION (La Compañía) extiende esta garantía al comprador original minorista de este producto, comprado a través de un revendedor autorizado Audiovox en Estados Unidos o Canadá. Esta garantía no es transferible o asignable.

### Qué está cubierto

La Compañía garantiza que si este producto o cualquier parte del mismo, bajo uso y condiciones normales, sea probado defectuoso en material o mano de obra dentro de los 90 días desde la fecha original de compra, tal o tales defectos serán reparados o reemplazados con un producto nuevo o reacondicionado (a opción de la Compañía) sin cargos por las partes o la mano de obra.

### Qué no está cubierto

Esta Garantía no cubre lo siguiente:

- Eliminación de estática o ruido del motor
- Corrección de problemas de antena
- Costos incurridos por instalación, desinstalación o reinstalación de este producto
- Daños consecuentes de discos compactos, dispositivos USB, tarjetas digitales y otros accesorios o partes
- Daños a los sistemas eléctricos del vehículo. Alteraciones, instalación inadecuada, mal manejo, mal uso, negligencia, accidente, fusil quemado, pérdidas en la batería, robo o almacenamiento inadecuado. Exposición a la humedad, excesivas temperaturas o condiciones medioambientales extremas. Daños relacionados a fuerzas naturales externas, incluyendo y no limitando, incendios, inundaciones, temblores de tierra, arena o tormentas
- Productos sin o con el número de serie de fábrica o el código de barras u otras marcas despintados
- Servicio realizado por personas, compañías o asociaciones no autorizadas
- Cualquier producto que haya sido ajustado, alterado o modificado sin el consentimiento de Audiovox
- Cualquier producto no distribuido por Audiovox dentro de Estados Unidos o Canadá
- Defectos cosméticos, decorativos o partes estructurales no operativas tal como marcos
- Daños ocurridos durante traslados (los reclamos deben ser dirigidos a la empresa de transporte)
- Daños incidentales relacionados al transporte del producto a un centro de servicio, incluyendo pérdida de tiempo personal, costos de traslado y pérdida de uso del producto

**Por favor, revea la sección "Cuidados y Mantenimiento" de su Manual de Instalación y Operación para obtener información adicional relacionada al uso adecuado de su producto.**

### Limitaciones

LA EXTENSIÓN DE LA RESPONSABILIDAD DE LA COMPAÑÍA BAJO ESTA GARANTÍA ESTÁ LIMITADA A LA REPARACIÓN O REEMPLAZO PROVISTO ARRIBA Y EN NINGÚN CASO LA RESPONSABILIDAD DE LA COMPAÑÍA EXCEDERÁ EL PRECIO DE COMPRA PAGADO POR EL COMPRADOR DE ESTE PRODUCTO.

Esta Garantía está en lugar de toda otra garantía o responsabilidad expresa. CUALQUIER GARANTÍA IMPLÍCITA, INCLUYENDO CUALQUIER GARANTÍA IMPLÍCITA DE COMERCIABILIDAD, SERÁ LIMITADA A LA DURACIÓN DE ESTA GARANTÍA ESCRITA. CUALQUIER ACCIÓN POR INCUMPLIMIENTO DE CUALQUIER GARANTÍA CONFORME A LA PRESENTE, INCLUYENDO CUALQUIER GARANTÍA IMPLÍCITA DE COMERCIABILIDAD, DEBE SER APELADA DENTRO DE UN PERIODO DE 6 MESES DESDE LA FECHA DE COMPRA ORIGINAL. EN NINGÚN CASO SERÁ LA COMPAÑÍA RESPONSABLE POR NINGÚN DAÑO CONSECUENTE O INCIDENTE POR INCUMPLIMIENTO DE ESTA O CUALQUIER OTRA GARANTÍA, EXPRESA O IMPLÍCITA, EN CUALQUIER ASPECTO. Ninguna persona o representante está autorizado a asumir por la Compañía ninguna responsabilidad otra que la expresada aquí en conexión con la venta de este producto.

Algunos estados no permiten limitaciones en la duración de una garantía implícita o la exclusión o limitación de daños incidentales o consecuentes, de tal forma que las limitaciones o exclusiones arriba expuestas pueden no aplicar. Esta Garantía le da derechos legales específicos, usted puede tener también otros derechos que varíen de acuerdo al estado en el que se encuentre.

### Obteniendo Servicios de Garantía

Para obtener reparaciones o reemplazos dentro de los términos de esta Garantía, por favor contáctese 1-800-323-4815 para obtener la ubicación de la estación de garantía sirviendo en su área.



## **Garantie Limitée à 90 jours**

### ***Radios Multimédia / Unités principales***

#### ***Qui est couvert?***

AUDIOVOX ELECTRONICS CORPORATION (la Compagnie) prolonge cette garantie à l'acheteur dans le cadre de produits achetés chez un détaillant autorisé d'Audiovox aux Etats-Unis ou au Canada. Cette garantie n'est ni transmissible ni assignable.

#### ***Que couvre t'elle ?***

La compagnie garantie que si ce produit ou une de ses pièces, dans l'utilisation et dans le cas d'utilisation et de condition normale, sont prouvée être défectueuse (problème avec appareil ou de fonctionnement) dans les 90 jours à partir la date de l'achat original, l'appareil sera réparé ou remplacé par un produit neuf ou reconditionné (à l'appréciation de la compagnie) sans frais à régler pour les pièces et la réparation.

#### ***Ce qui n'est pas couvert?***

Cette garantie ne couvre pas ce qui suit:

- Élimination de charge statique de voiture ou de bruit de moteur
- Correction des problèmes d'antenne
- Coûts encourus pour l'installation, le déplacement ou la réinstallation du produit
- Dommages consécutifs aux CD, les dispositifs USB, les cartes numériques de média, et tous autres accessoires ou acquisition
- Dommages aux systèmes électriques du véhicule. Changement, installation mal faite, mauvais traitement, abus, négligence, accident, fusible coupé, fuite de batterie, vol ou stockage inapproprié. Exposition à la moisissure à l'humidité, à la température excessive ou aux conditions environnementales extrêmes. Les forces normales externes, incluant sans limitation : feu, inondation, tremblement de terre, sable ou tempête
- Les produits qui n'ont plus le n° de série de l'entreprise ou le code barre ou la marque
- Des manipulations faites par une personne, une compagnie ou une association non autorisées.
- N'importe quel produit qui a subi des modifications ou des altérations sans consentement de Audiovox.
- Un produit non distribué par Audiovox dans les Etats-Unis ou le Canada.
- Défauts d'apparence des pièces structurales du produit, décorations inopérantes tels que l'encadrement
- Dommages encourus pendant l'expédition (les réclamations doivent être adressées au transporteur)
- Les dommages d'incidents survenus aux accessoires dus au transport du produit à un centre commercial, y compris la perte de temps personnel, les coûts de transport, et la perte d'utilisation du produit

**Veillez passer en revue la section de "soin et d'entretien" de votre manuel d'installation et d'opération pour une information supplémentaire concernant l'utilisation appropriée de votre produit.**

#### ***Limitations***

L'AMPLEUR DE LA RESPONSABILITÉ DE LA COMPAGNIE SOUS CETTE GARANTIE EST LIMITÉE À LA RÉPARATION OU AU REMPLACEMENT INDIQUE CI-DESSUS ET, DANS AUCUN CAS, LA RESPONSABILITÉ DE LA COMPAGNIE EXCÉDERA LE PRIX D'ACHAT PAYÉ PAR L'ACHETEUR POUR LE PRODUIT.

Cette garantie tient lieu de toutes autres garanties express ou de responsabilité. TOUTES LES GARANTIES IMPLICITES COMPRENANT N'IMPORTE QUELLE GARANTIE IMPLICITE DE LA CAPACITE MARCHANDE SERONT LIMITEES A LA DUREE DE CETTE GARANTIE ECRITE. CI-DESSOUS COMPRENANT N'IMPORTE QUELLE GARANTIE IMPLICITE DE VALEUR MARCHANDE DOIT ÊTRE APPORTÉE AU COURS D'UNE PÉRIODE DE 6 MOIS DE LA DATE D'ACHAT ORIGINAL. DANS AUCUN CAS LA COMPAGNIE SERA RESPONSABLE DE TOUS LES DOMMAGES CONSÉCUTIFS OU ACCESSOIRES POUR L'INFRACTION DE CECI OU DE N'IMPORTE QUELLE AUTRE GARANTIE, EXPRESS OU IMPLICITE, QUEL QU'IL SOIT. Aucune personne ou représentant n'est autorisé à assumer pour la compagnie n'importe quelle responsabilité autre que ce qui est exprimé ci-dessus en relation avec la vente de ce produit.

Quelques Etats ne permettent pas des limitations de durée d'une garantie impliquée ou l'exclusion ou la limitation des dommages accessoires ou consécutifs ainsi les limitations ou les exclusions ci-dessus, peuvent ne pas s'appliquer à vous. Cette garantie vous donne des droits légaux spécifiques et vous pouvez également avoir d'autres droits qui changent d'un Etat à un autre.

#### ***Joindre Le Service de Garantie***

Pour obtenir la réparation ou le remplacement dans les limites de cette garantie, contactez le 1-800-323-4815 pour connaître l'endroit du service garantie desservant votre secteur.

# PHASE LINEAR

Audiovox Electronics Corporation  
150 Marcus Boulevard  
Hauppauge, NY 11788  
1-800-323-4815  
[www.audiovox.com](http://www.audiovox.com)

©2006 Audiovox  
v.092606